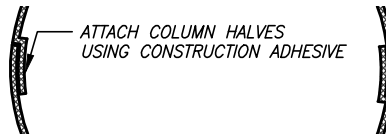


ATTACHMENT AT CAPITAL



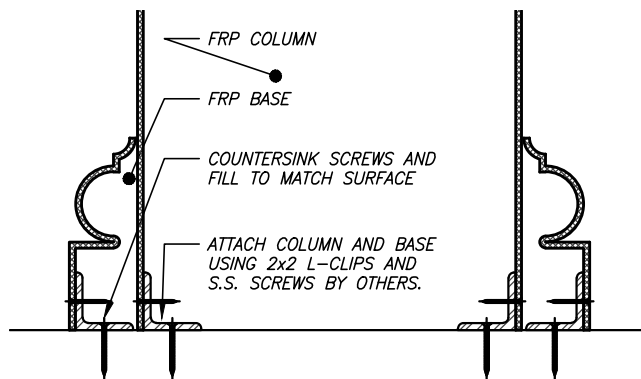
REVEAL JOINT (SPECIAL ORDER)



SHIP LAP JOINT (TYPICAL FOR FILAMENT WOUND)



BUTT JOINT (STANDARD)



ATTACHMENT AT BASE

COLUMNS

SHEET NO.

SD-01

UPDATED: JAN 2010

ATTACHMENT
DETAILS



ARCHITECTURAL FIBERGLASS, INC.

8300 BESSEMER AVE., CLEVELAND, OHIO 44127-1839
(216) 641-8300 - FAX:(216) 641-8150
www.fiberglass-afi.com