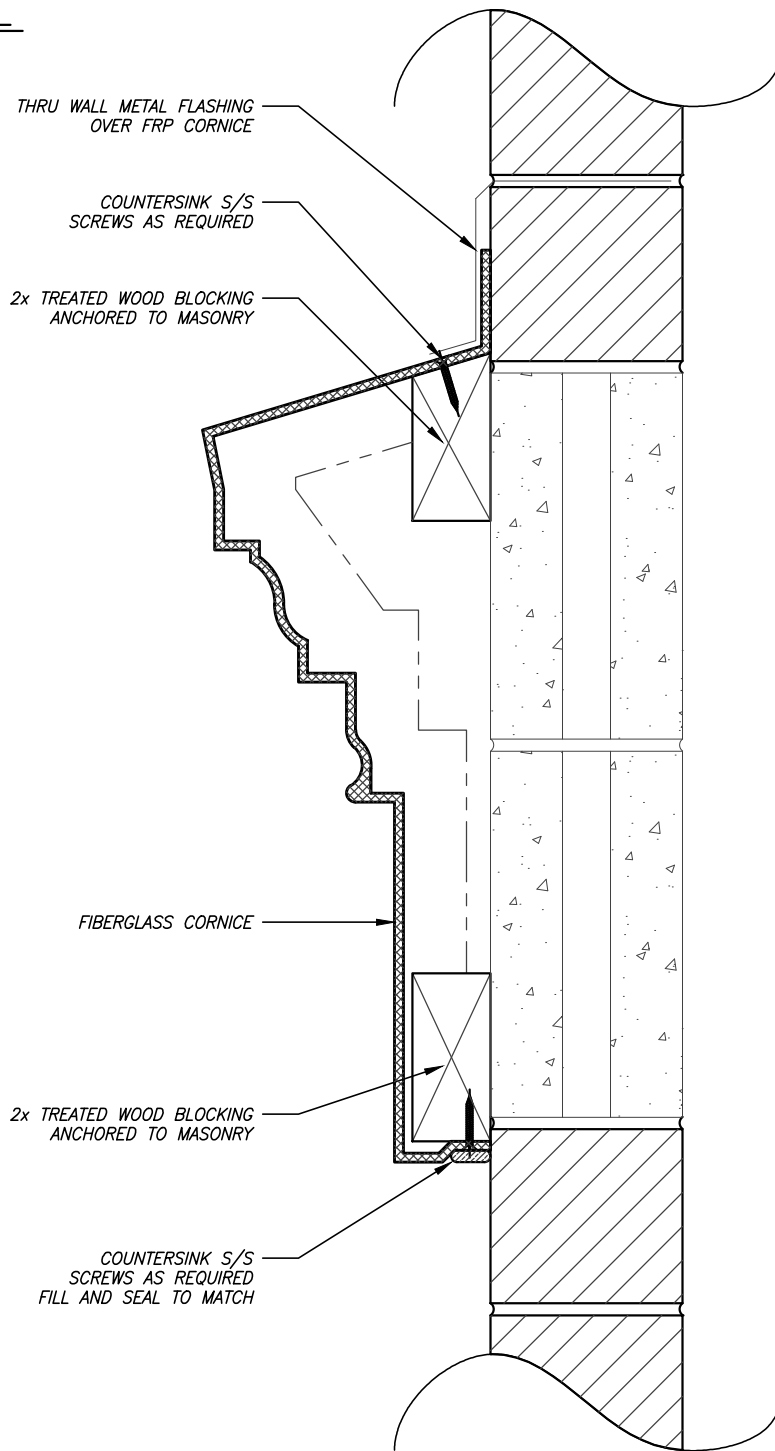


**WOOD BLOCKING
CONNECTION DETAIL**



CORNICE

SHEET NO.

SD-1

UPDATED: JAN 2010

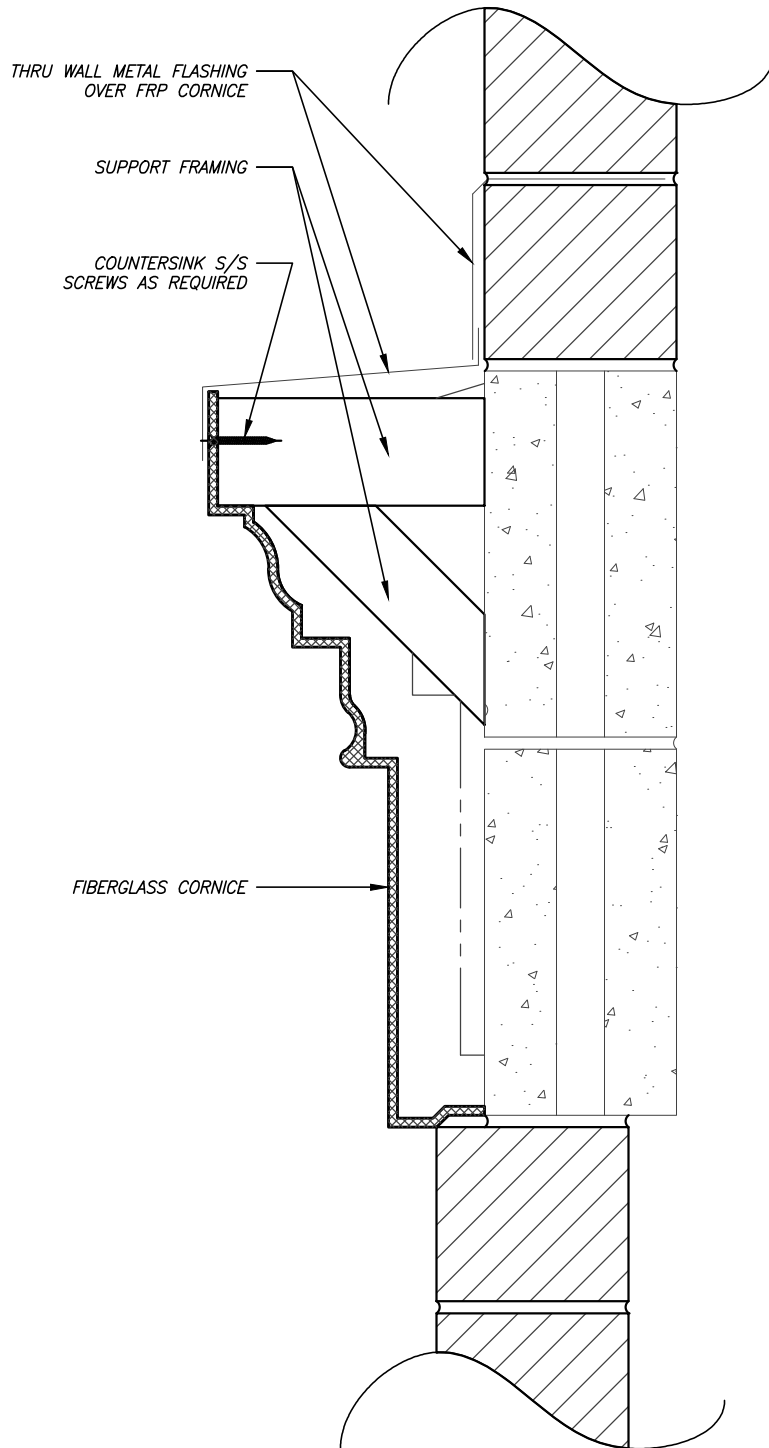
CONNECTIONS



ARCHITECTURAL FIBERGLASS, INC.

8300 BESSEMER AVE., CLEVELAND, OHIO 44127-1839
(216) 641-8300 - FAX:(216) 641-8150
www.fiberglass-afi.com

SUPPORT FRAMING
CONNECTION DETAIL



CORNICE

SHEET NO.

SD-2

UPDATED: JAN 2010

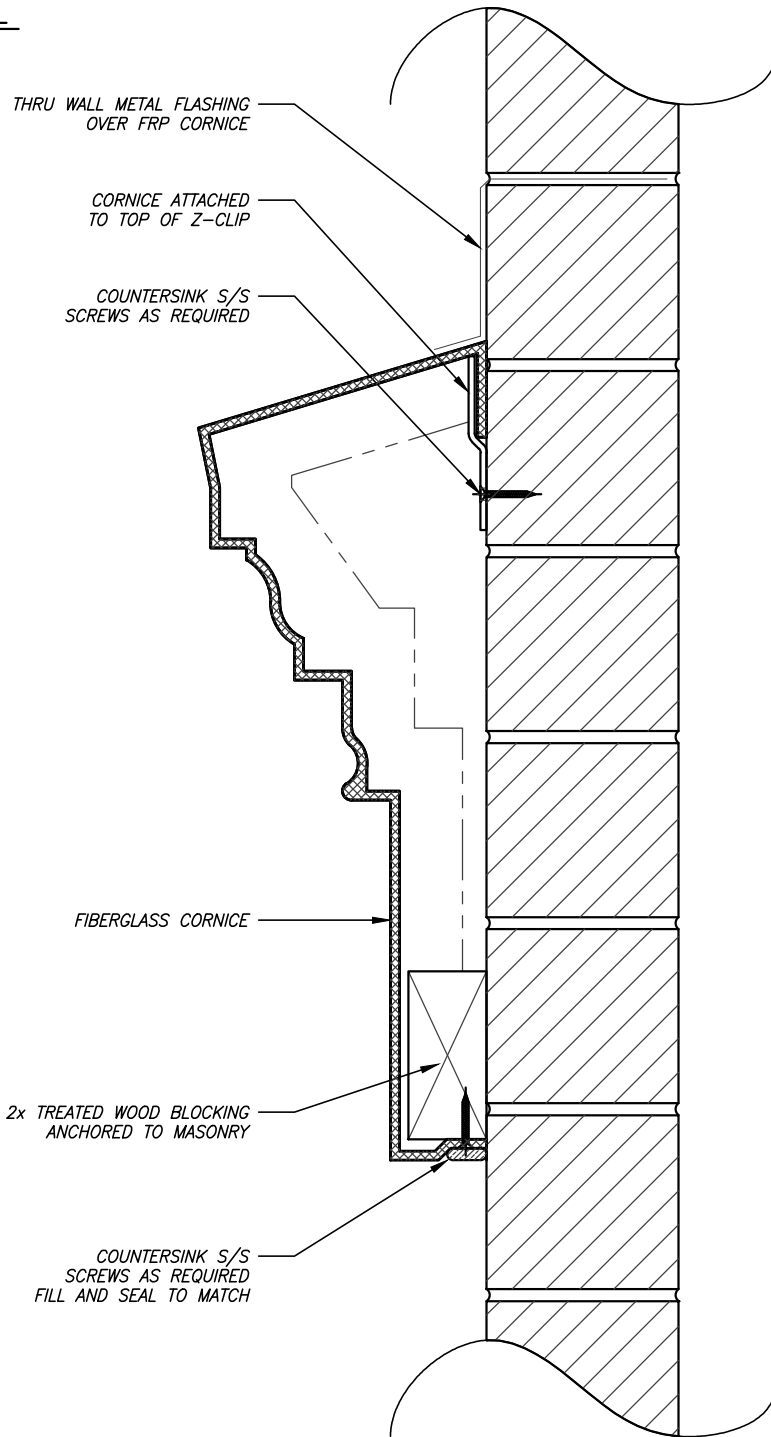
CONNECTIONS



ARCHITECTURAL FIBERGLASS, INC.

8300 BESSEMER AVE., CLEVELAND, OHIO 44127-1839
(216) 641-8300 - FAX:(216) 641-8150
www.fiberglass-afi.com

Z-CLIP
CONNECTION DETAIL



CORNICE

SHEET NO.

SD-3

UPDATED: JAN 2010

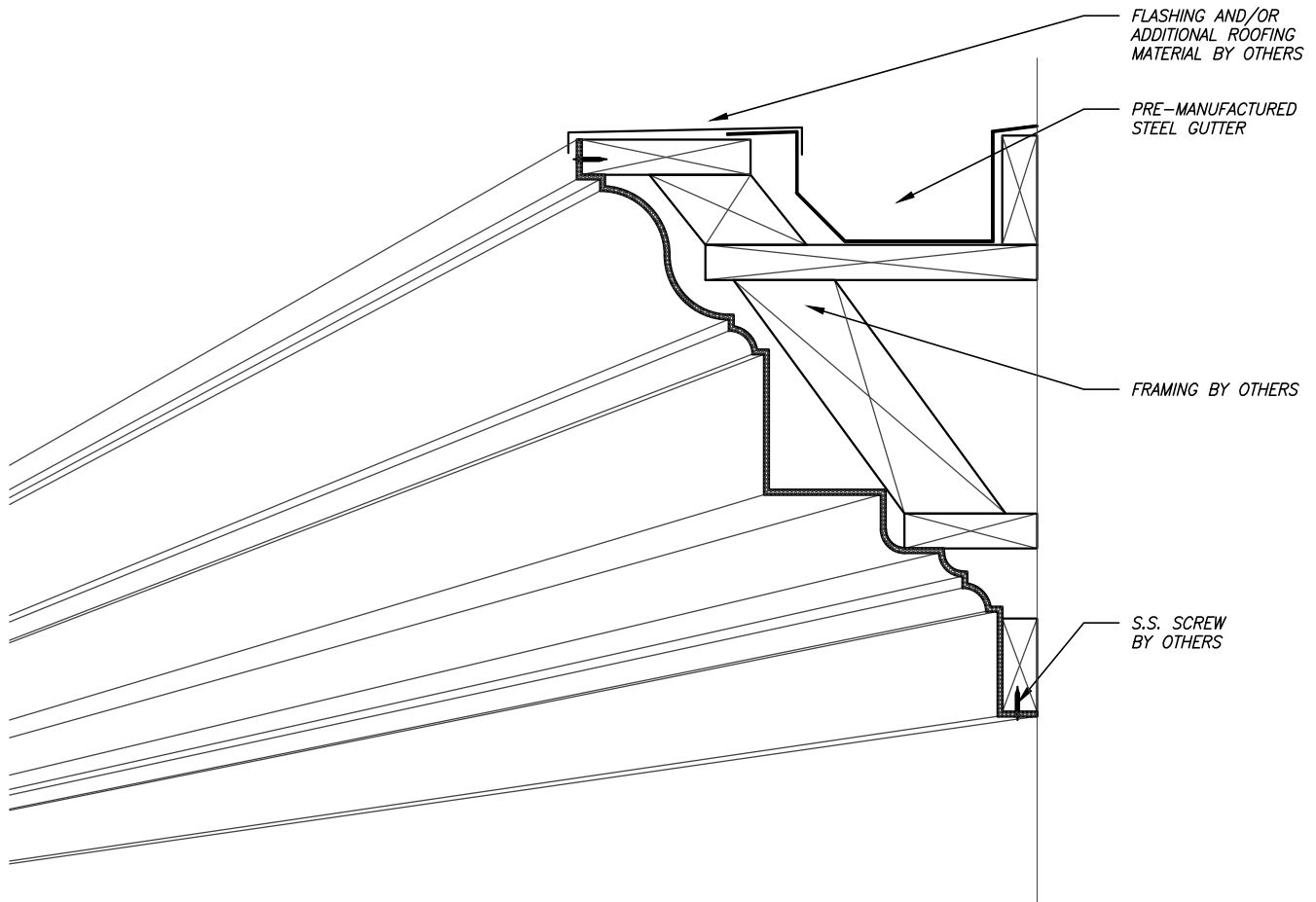
CONNECTIONS



ARCHITECTURAL FIBERGLASS, INC.

8300 BESSEMER AVE., CLEVELAND, OHIO 44127-1839
(216) 641-8300 - FAX:(216) 641-8150
www.fiberglass-afi.com

TYPICAL CORNICE
WITH GUTTER INSTALLATION



CORNICE

SHEET NO.

SD-4

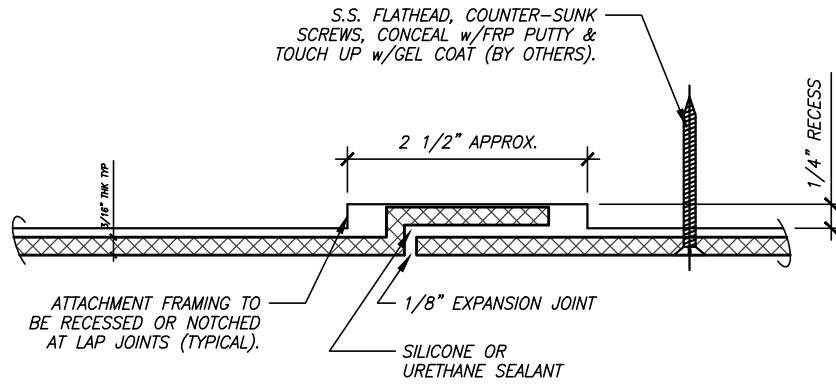
UPDATED: JAN 2010

INSTALLATION
WITH GUTTERS



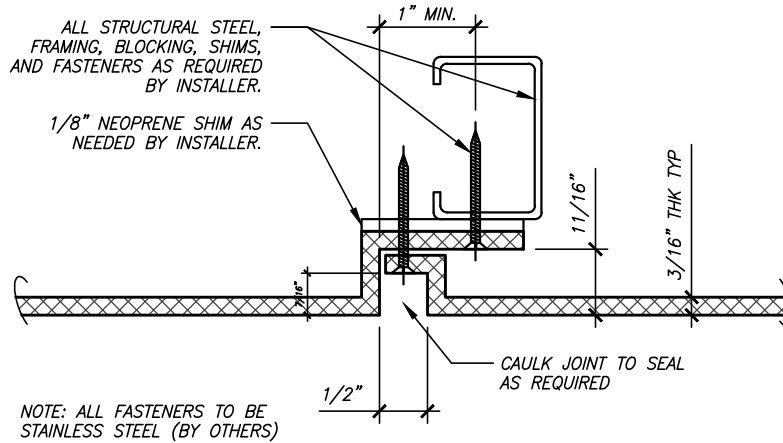
ARCHITECTURAL FIBERGLASS, INC.

8300 BESSEMER AVE., CLEVELAND, OHIO 44127-1839
(216) 641-8300 - FAX:(216) 641-8150
www.fiberglass-afi.com



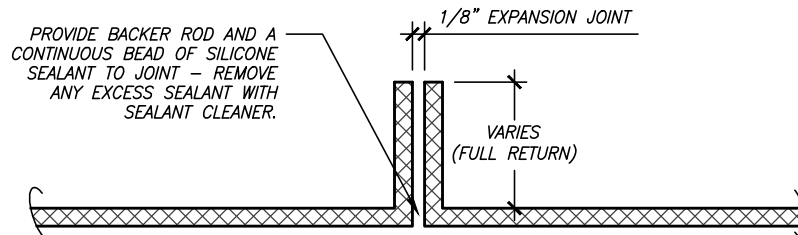
NOTE: ALL FASTENERS TO BE STAINLESS STEEL (BY OTHERS)

TYPICAL SHIP LAP DETAIL



NOTE: ALL FASTENERS TO BE STAINLESS STEEL (BY OTHERS)

TYPICAL REVEAL DETAIL



TYPICAL BUTT JOINT DETAIL

CORNICE

SHEET NO.

SD-5

UPDATED: JAN 2010

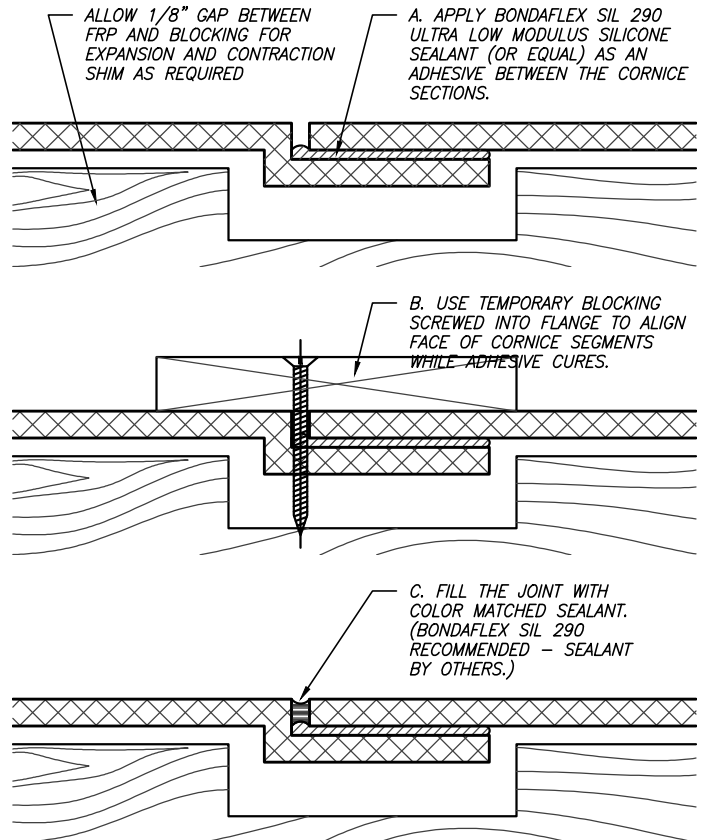
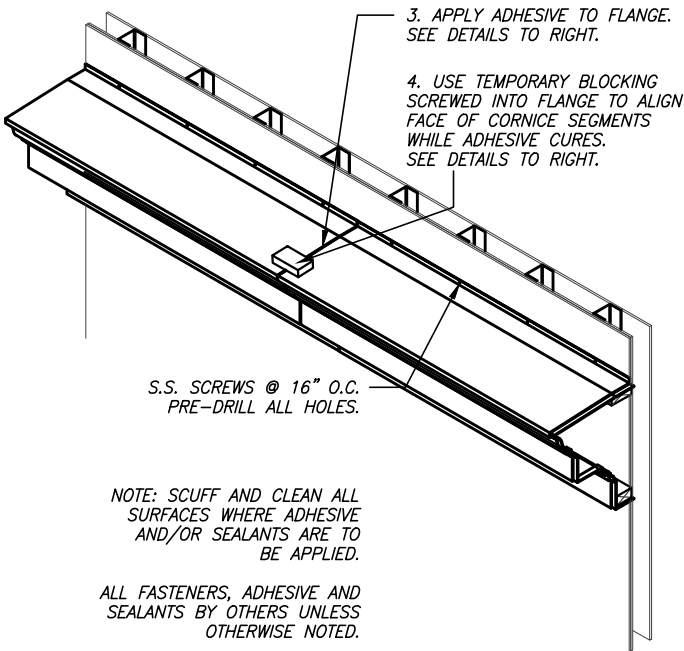
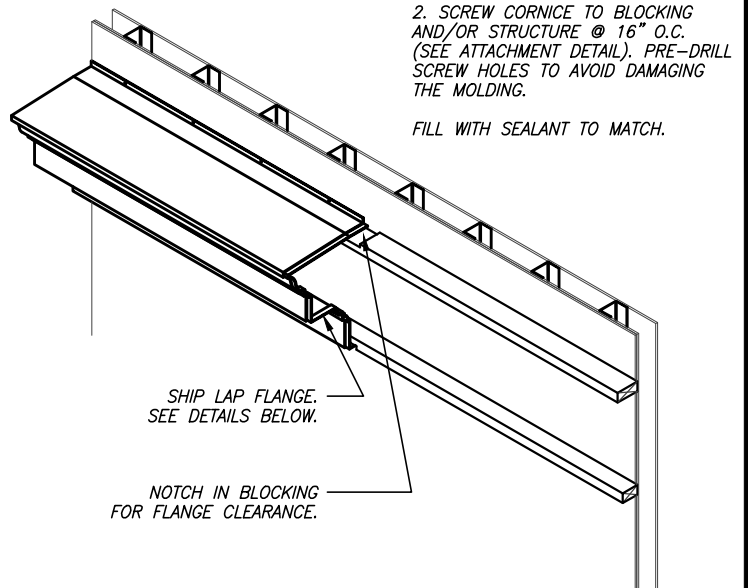
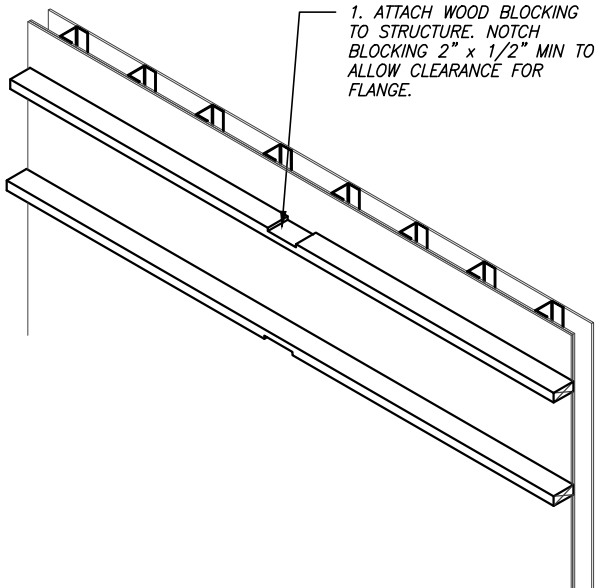
TYPICAL JOINT DETAILS



ARCHITECTURAL FIBERGLASS, INC.

8300 BESSEMER AVE., CLEVELAND, OHIO 44127-1839
 (216) 641-8300 - FAX:(216) 641-8150
 www.fiberglass-afi.com

TYPICAL INSTALLATION FOR CORNICE WITH SHIP LAP JOINTS



CORNICE

SHEET NO.

SD-6

UPDATED: JAN 2010

TYPICAL
INSTALLATION
INSTRUCTIONS



ARCHITECTURAL FIBERGLASS, INC.

8300 BESSEMER AVE., CLEVELAND, OHIO 44127-1839
(216) 641-8300 - FAX:(216) 641-8150
www.fiberglass-afi.com