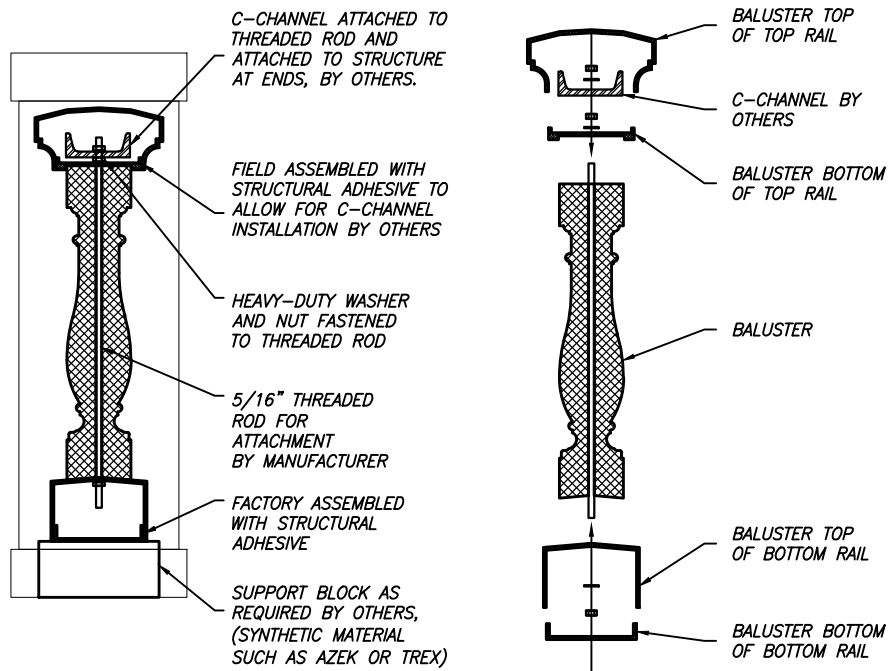


BALUSTRADE INSTALLATION - OPTION 1



NOTE: C-CHANNEL COULD ALSO BE ADDED TO BOTTOM RAIL. C-CHANNEL MAY BE REQUIRED FOR RAIL LENGTHS LONGER THEN 12'

BALUSTRADE INSTALLATION - OPTION 2 (WITH C-CHANNEL)

BALUSTRADES

SHEET NO.

SD-01

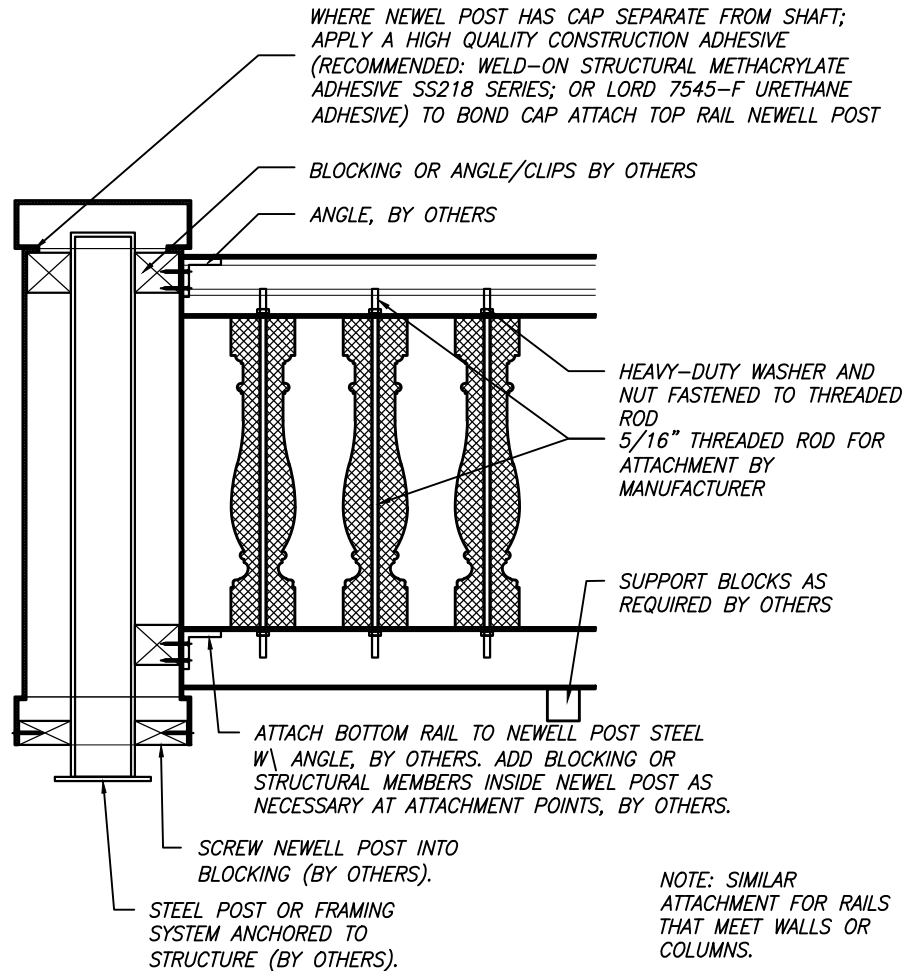
2020

INSTALLATION



ARCHITECTURAL FIBERGLASS, INC.

8300 BESSEMER AVE., CLEVELAND, OHIO 44127-1839
 (216) 641-8300 - FAX:(216) 641-8150
 www.fiberglass-afi.com



RAIL INSTALLATION - OPTION 1

BALUSTRADES

SHEET NO.

SD-02

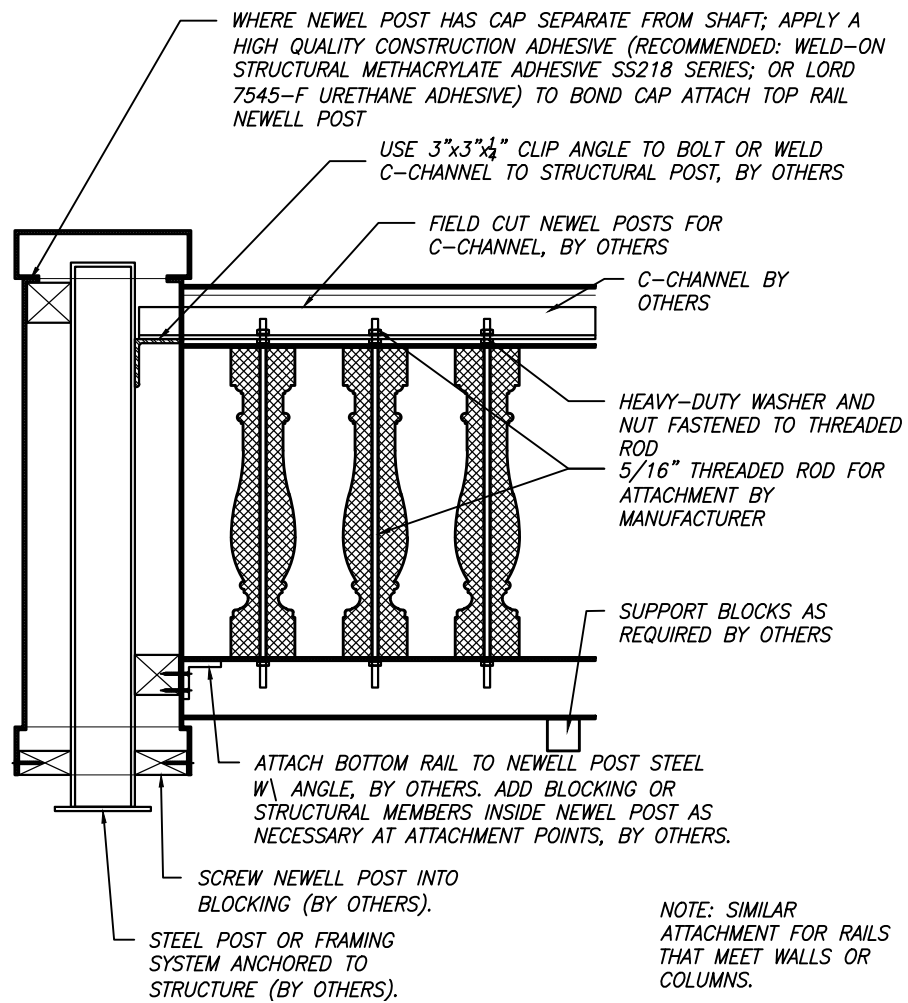
2020

INSTALLATION



ARCHITECTURAL FIBERGLASS, INC.

8300 BESSEMER AVE., CLEVELAND, OHIO 44127-1839
 (216) 641-8300 - FAX:(216) 641-8150
 www.fiberglass-afi.com



RAIL INSTALLATION - OPTION 2 (WITH C-CHANNEL)

BALUSTRADES

SHEET NO.

SD-03

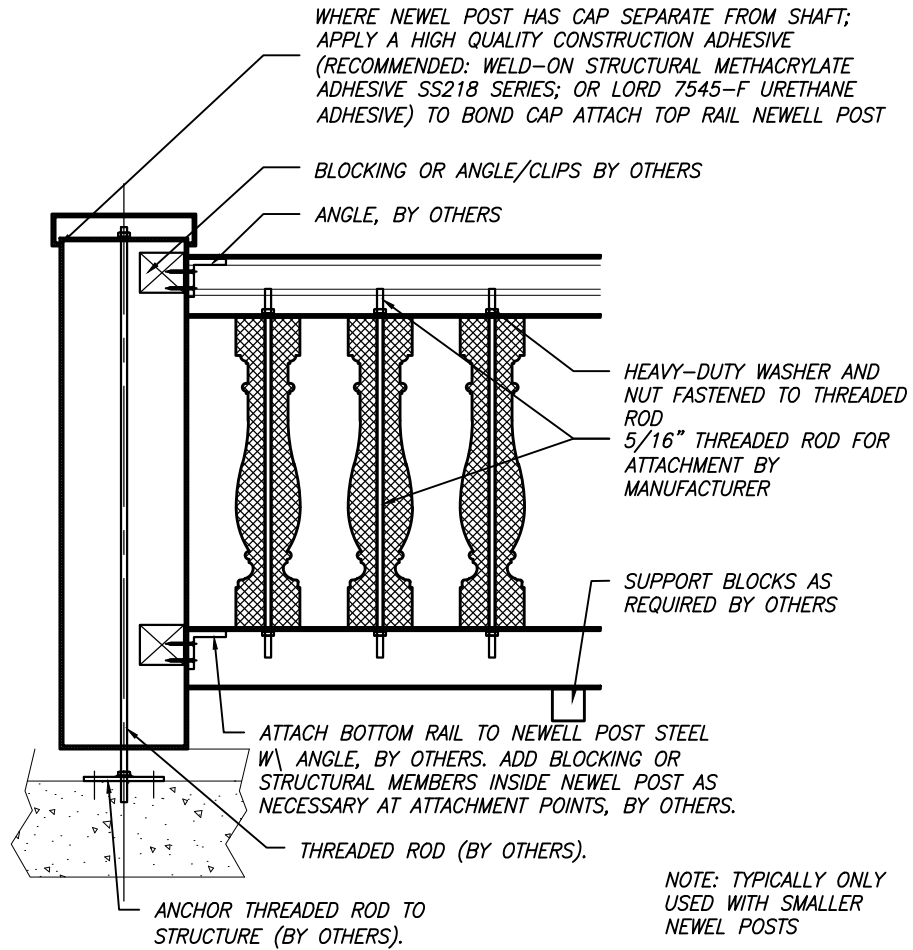
2020

INSTALLATION



ARCHITECTURAL FIBERGLASS, INC.

8300 BESSEMER AVE., CLEVELAND, OHIO 44127-1839
 (216) 641-8300 - FAX:(216) 641-8150
 www.fiberglass-afi.com



ALTERNATE NEWEL POST CONNECTION (DECORATIVE / NON-STRUCTURAL)

BALUSTRADES

SHEET NO.

SD-04

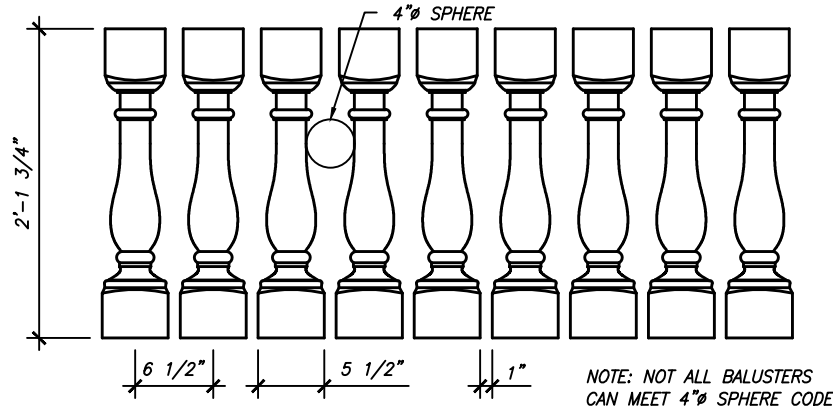
2020

INSTALLATION

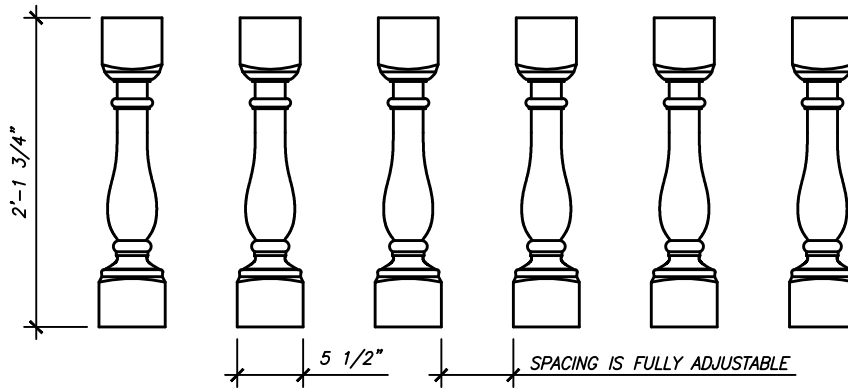


ARCHITECTURAL FIBERGLASS, INC.

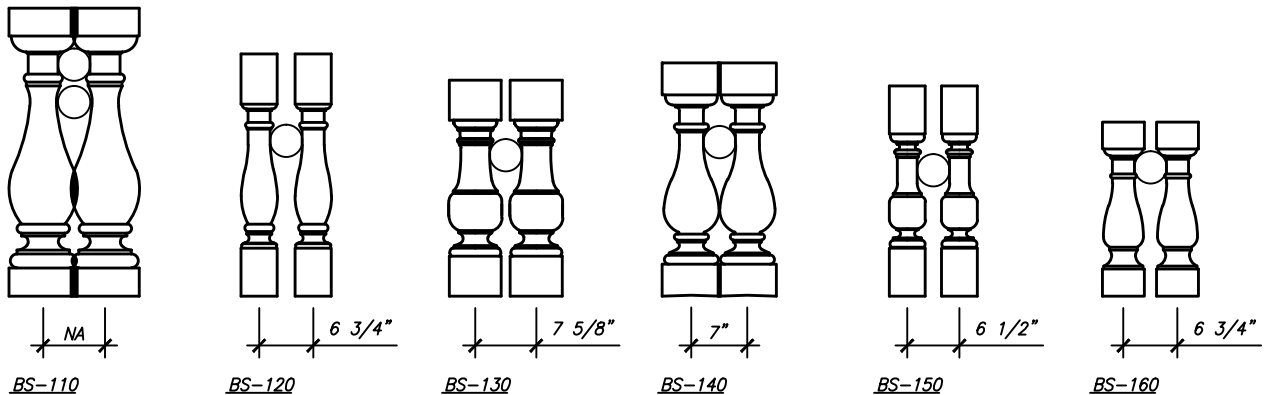
8300 BESSEMER AVE., CLEVELAND, OHIO 44127-1839
 (216) 641-8300 - FAX:(216) 641-8150
 www.fiberglass-afi.com



OPTION 1 - 4" SPHERE CODE SPACING



OPTION 2 - SPACING NOT TO CODE



BALUSTRADES

SHEET NO.

SD-05

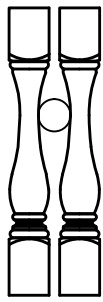
2020

INSTALLATION



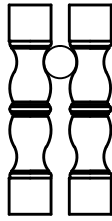
ARCHITECTURAL FIBERGLASS, INC.

8300 BESSEMER AVE., CLEVELAND, OHIO 44127-1839
 (216) 641-8300 - FAX:(216) 641-8150
 www.fiberglass-afi.com



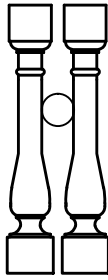
6 5/16"

BS-170



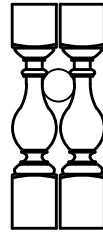
7 1/2"

BS-180



6 7/8"

BS-190



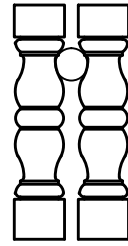
6"

BS-200



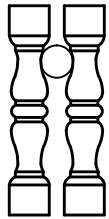
7"

BS-210



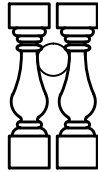
8"

BS-220



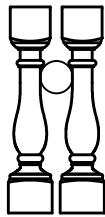
6 7/8"

BS-230



6"

BS-240



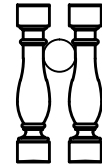
6 1/2"

BS-250



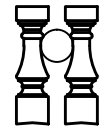
6 5/8"

BS-260



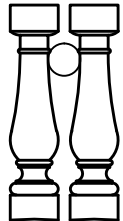
6 1/2"

BS-270



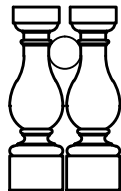
6 1/8"

BS-280



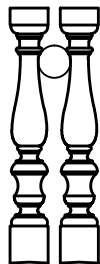
7 1/2"

BS-290



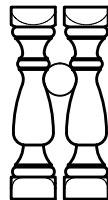
7 1/8"

BS-300



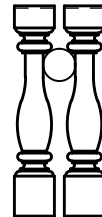
6 1/4"

BS-310



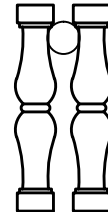
6 5/8"

BS-320



6 1/4"

BS-330



7"

BS-340

BALUSTRADES

SHEET NO.

SD-06

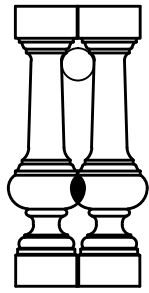
2020

INSTALLATION



ARCHITECTURAL FIBERGLASS, INC.

8300 BESSEMER AVE., CLEVELAND, OHIO 44127-1839
(216) 641-8300 - FAX:(216) 641-8150
www.fiberglass-afi.com



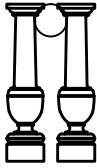
NA

BS-350



6 1/4"

BS-360



6 3/8"

BS-370



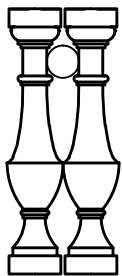
6"

BS-380



5 3/4"

BS-390



7"

BS-390

BALUSTRADES

SHEET NO.

SD-07

2020

INSTALLATION



ARCHITECTURAL FIBERGLASS, INC.

8300 BESSEMER AVE., CLEVELAND, OHIO 44127-1839
(216) 641-8300 - FAX:(216) 641-8150
www.fiberglass-afi.com