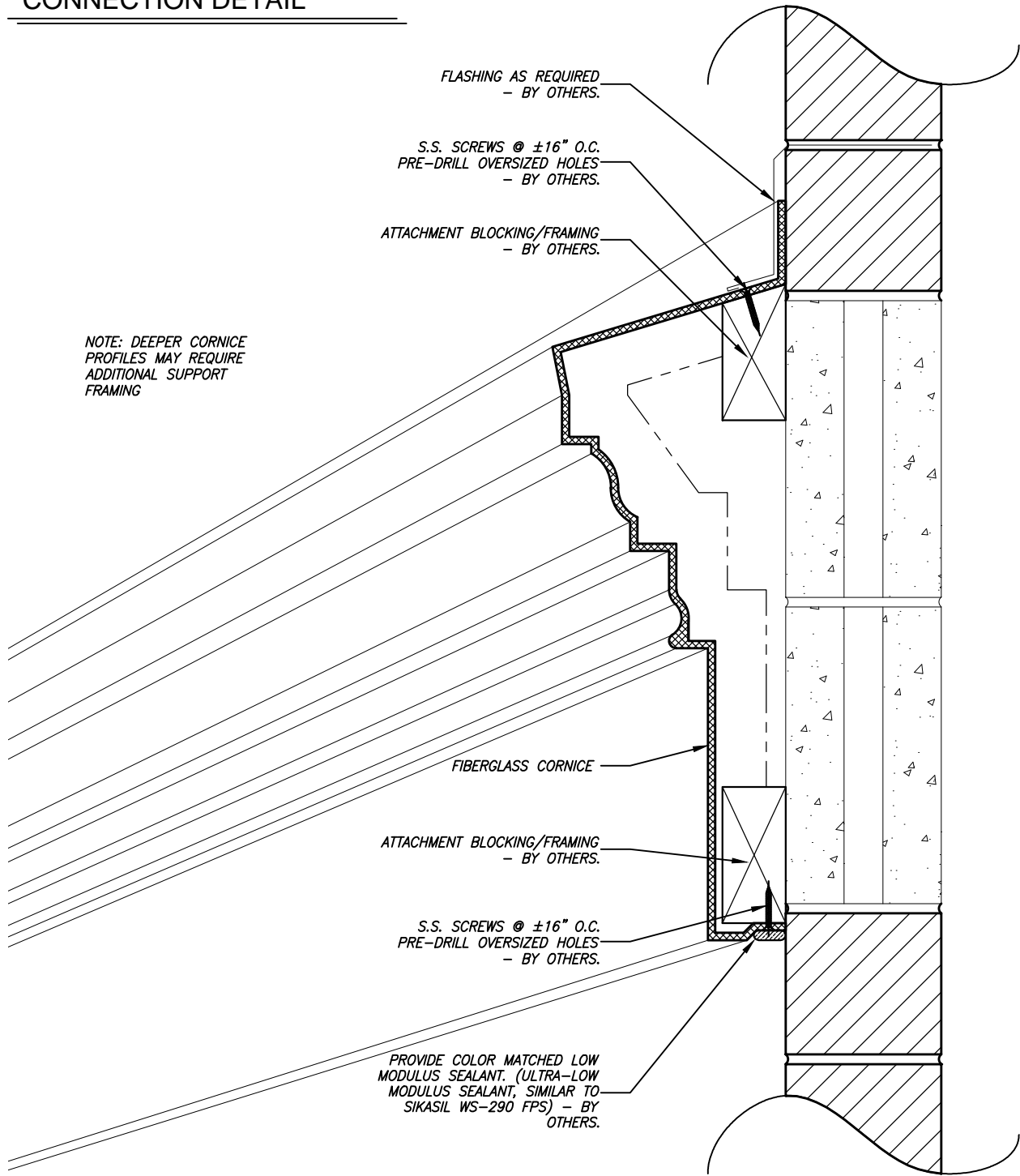


**WOOD BLOCKING  
CONNECTION DETAIL**



NOTE: DEEPER CORNICE  
PROFILES MAY REQUIRE  
ADDITIONAL SUPPORT  
FRAMING

CORNICE  
SHEET NO.  
**SD-1**  
2020

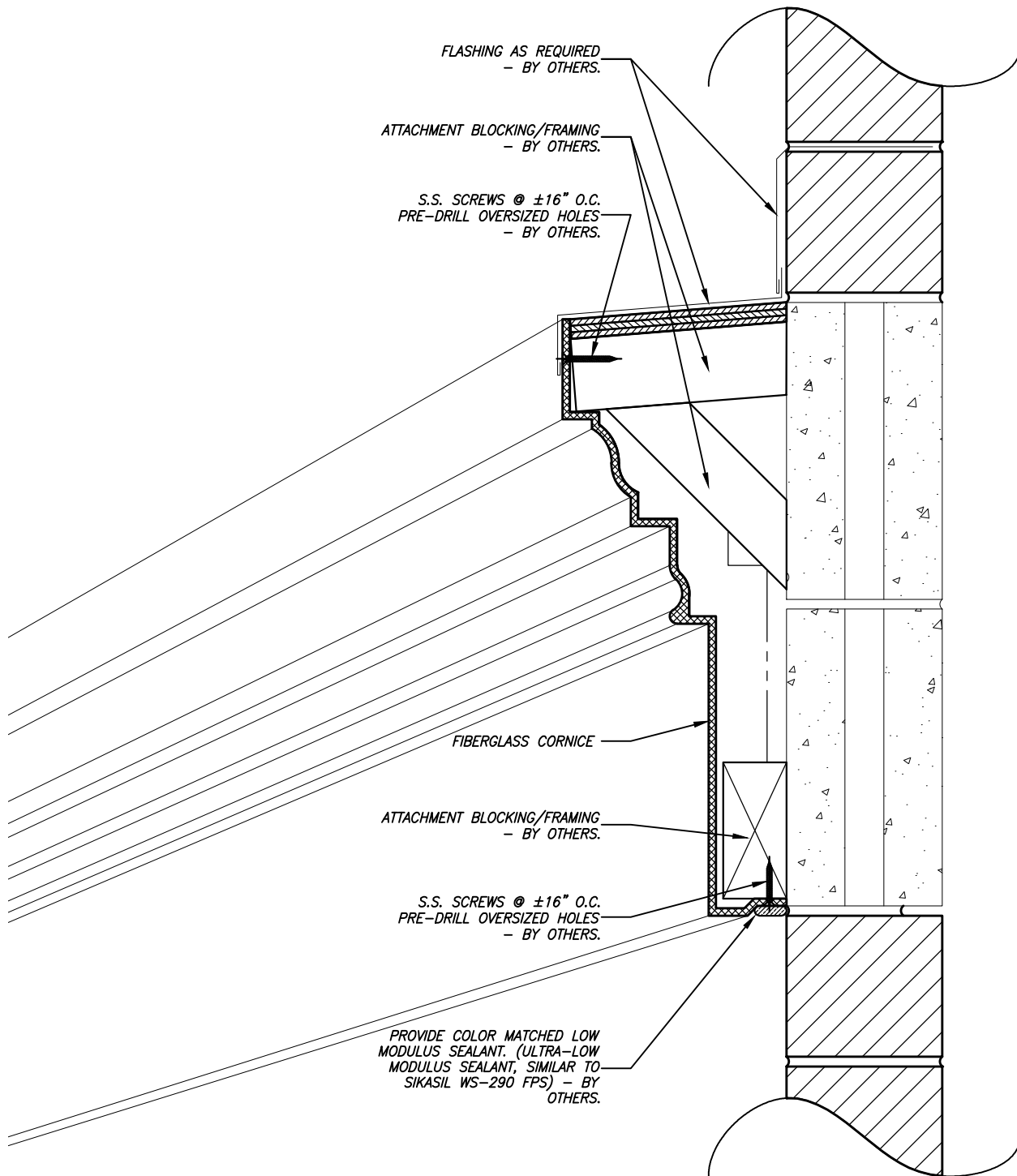
CONNECTIONS



**ARCHITECTURAL FIBERGLASS, INC.**

8300 BESSEMER AVE., CLEVELAND, OHIO 44127-1839  
(216) 641-8300 - FAX:(216) 641-8150  
www.fiberglass-afi.com

**SUPPORT FRAMING  
CONNECTION DETAIL**



CORNICE  
SHEET NO.  
**SD-2**  
2020

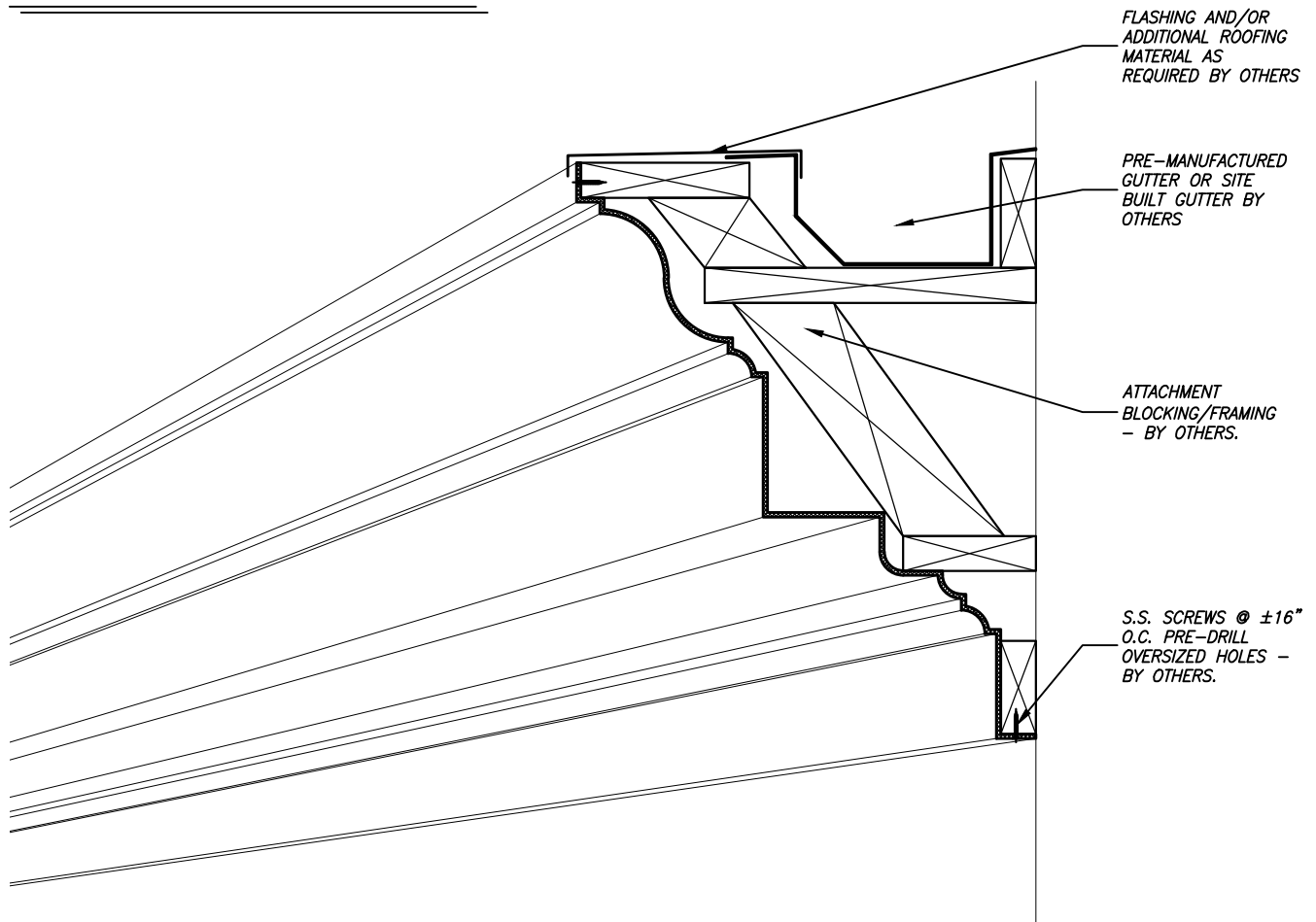
CONNECTIONS



**ARCHITECTURAL FIBERGLASS, INC.**

8300 BESSEMER AVE., CLEVELAND, OHIO 44127-1839  
(216) 641-8300 - FAX:(216) 641-8150  
www.fiberglass-afi.com

TYPICAL CORNICE  
WITH GUTTER INSTALLATION



CORNICE

SHEET NO.

**SD-3**

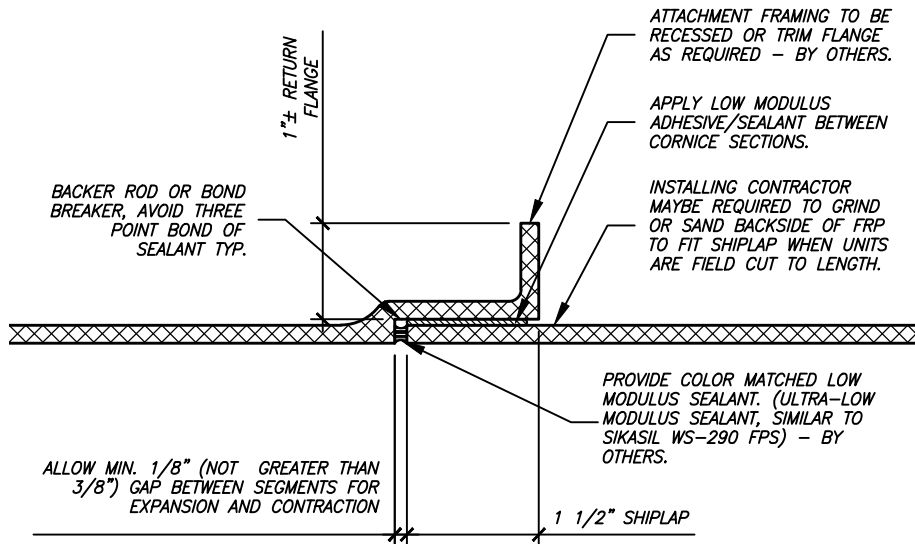
2020

INSTALLATION  
WITH GUTTERS

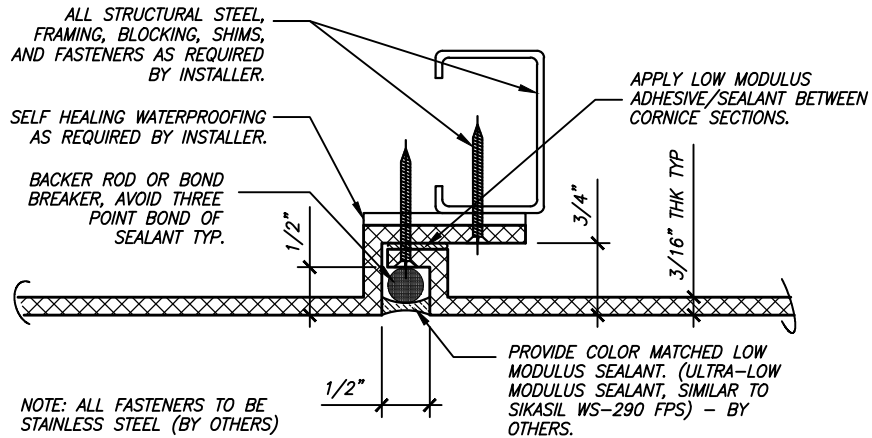


**ARCHITECTURAL FIBERGLASS, INC.**

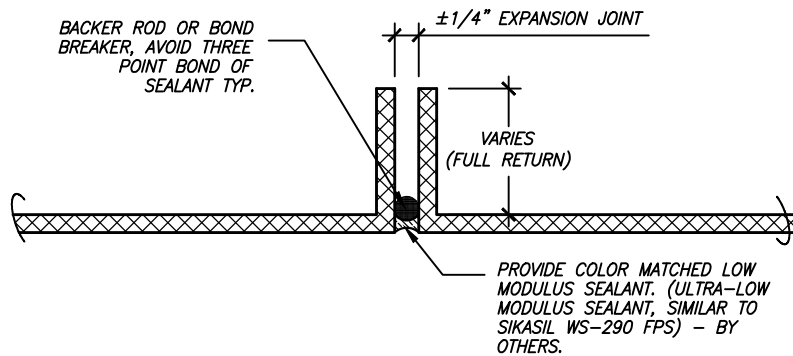
8300 BESSEMER AVE., CLEVELAND, OHIO 44127-1839  
(216) 641-8300 - FAX:(216) 641-8150  
[www.fiberglass-afi.com](http://www.fiberglass-afi.com)



**TYPICAL SHIPLAP DETAIL**



**TYPICAL REVEAL DETAIL (SPECIAL ORDER)**



**TYPICAL BUTT JOINT DETAIL**

CORNICE  
SHEET NO.  
**SD-4**  
2020

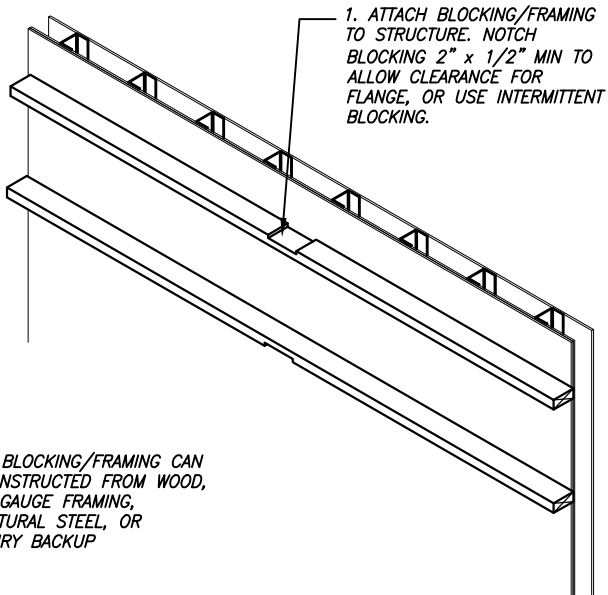
TYPICAL  
JOINT DETAILS



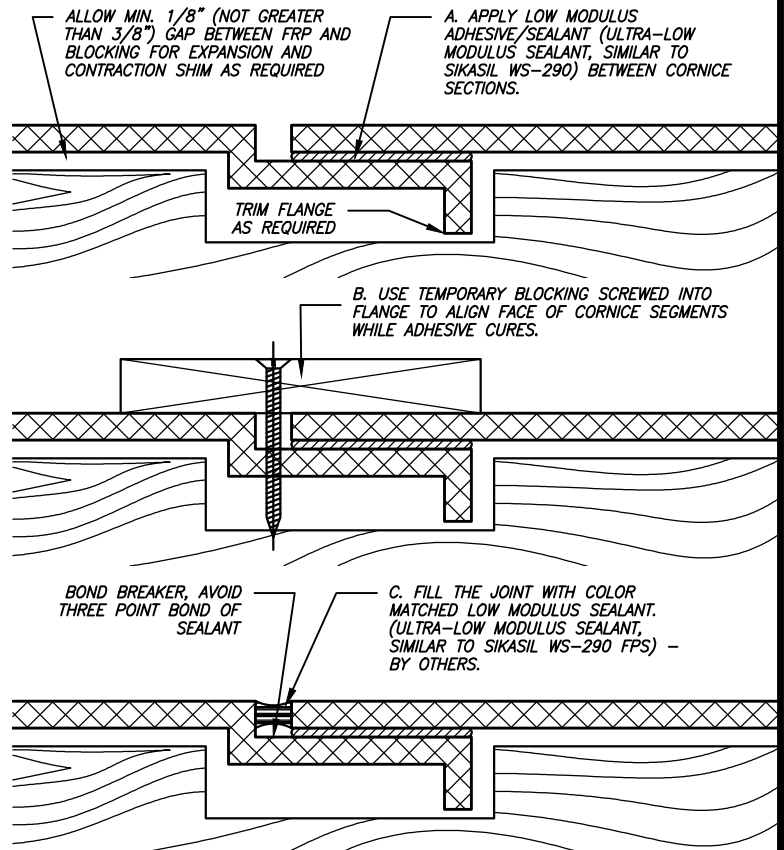
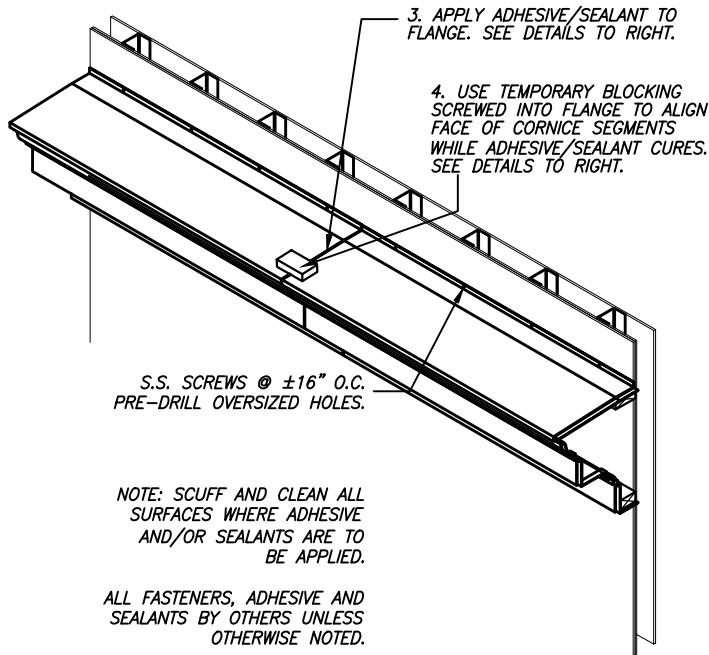
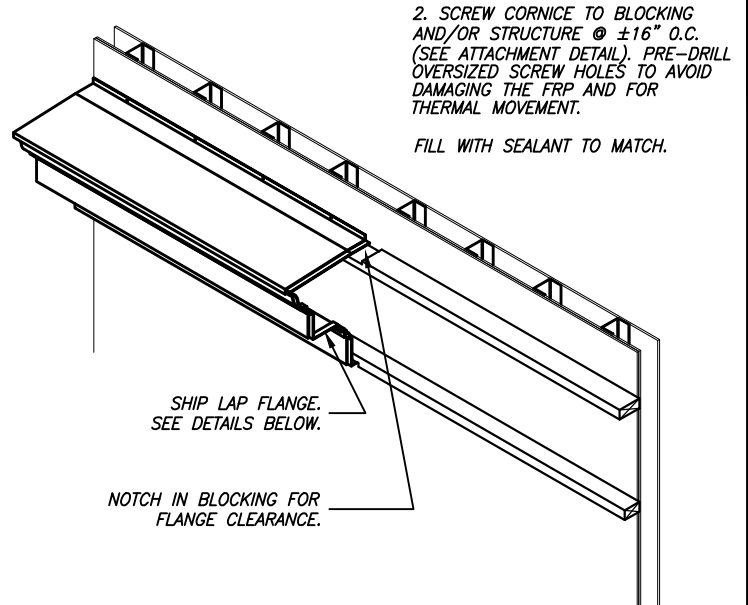
**ARCHITECTURAL FIBERGLASS, INC.**

8300 BESSEMER AVE., CLEVELAND, OHIO 44127-1839  
(216) 641-8300 - FAX:(216) 641-8150  
www.fiberglass-afi.com

# TYPICAL INSTALLATION FOR CORNICE WITH SHIP LAP JOINTS



NOTE: BLOCKING/FRAMING CAN BE CONSTRUCTED FROM WOOD, LIGHT GAUGE FRAMING, STRUCTURAL STEEL, OR MASONRY BACKUP



CORNICE  
SHEET NO.  
**SD-5**  
2020

TYPICAL  
INSTALLATION  
INSTRUCTIONS



## ARCHITECTURAL FIBERGLASS, INC.

8300 BESSEMER AVE., CLEVELAND, OHIO 44127-1839  
(216) 641-8300 - FAX:(216) 641-8150  
www.fiberglass-afi.com