

NOTE:

1. FIBERGLASS PRODUCTS ARE INTENDED TO BE INSTALLED ON FINISHED WATERTIGHT ROOF STRUCTURES AND ARE GENERALLY NOT OPEN TO THE BUILDING BELOW. FIBERGLASS PRODUCTS ARE DESIGNED TO SHED WATER BUT ARE NOT FACTORY INSULATED. FIBERGLASS PRODUCTS THAT ARE NOT INSULATED COULD CAUSE CONDENSATION INSIDE THE STRUCTURE. DECORATIVE FEATURES SUCH AS VENTS, LOUVERS, CROSSES, AND FINIALS CAN ALSO ALLOW MOISTURE TO ENTER THE STRUCTURE. ARCHITECTURAL FIBERGLASS, INC. (AFI) RECOMMENDS ROOFING OR WATERPROOFING UNDER THE FIBERGLASS STRUCTURE AND SEALING AROUND ALL ANCHOR BOLTS. FIELD APPLIED INSULATION AND FLASHING BY CONTRACTOR CAN REDUCE CONDENSATION AND SEAL THE STRUCTURE AGAINST MOISTURE.

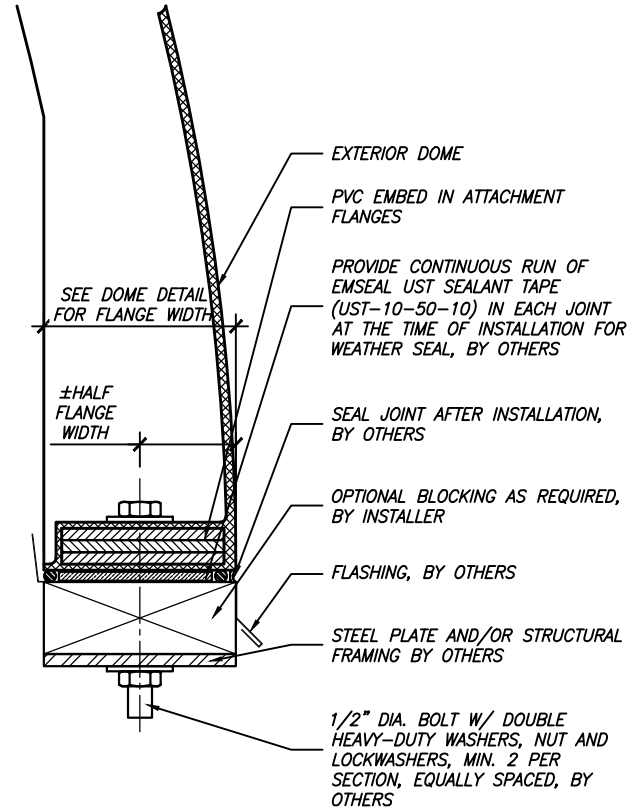
WATERTIGHTNESS IS A FUNCTION OF THE INSTALLATION AND THE SUBSTRATE TO WHICH THE FIBERGLASS MATERIAL IS BEING ATTACHED. FURNISHED FIBERGLASS ELEMENTS ARE STRICTLY FOR ORNAMENTAL PURPOSES AND THE SELLER IS NOT RESPONSIBLE FOR ANY OTHER INTENDED USE. AFI DOES NOT WARRANT WATERTIGHT FACTORY-ASSEMBLED OR FIELD-ASSEMBLED JOINTS. FACTORY-ASSEMBLED JOINTS HAVE THE POTENTIAL TO SEPARATE DURING SHIPPING AND INSTALLATION. AFI RECOMMENDS FINAL SEALANT APPLICATION AFTER ELEMENTS ARE INSTALLED, IN ADDITION, A CONTINUOUS RUN AT EACH JOINT OF EMSEAL UST SEALANT TAPE (ITEM UST-10-50-10;) BY EMSEAL JOINT SYSTEMS, LTD (WWW.EMSEAL.COM) (1-800-526-8365) OR EQUAL. REFERENCE TYPICAL DETAIL. IF WATERTIGHTNESS IS REQUIRED, AFI RECOMMENDS THAT A LICENSED WATERPROOFING CONSULTANT REVIEW THE DETAILS AND PROVIDES RECOMMENDATIONS AS REQUIRED FOR THIS SPECIFIC APPLICATION.

2. CONTRACTOR IS RESPONSIBLE FOR ANY ENGINEERING REQUIREMENTS ASSOCIATED WITH THE STRUCTURE TO WHICH FIBERGLASS ELEMENTS ARE ATTACHED, AND WIND LOAD FORCES IMPOSED BY THE FIBERGLASS STRUCTURE.

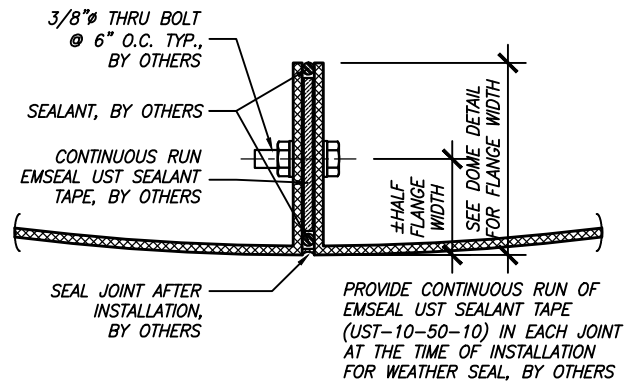
3. LIGHTNING PROTECTION IS NOT INCLUDED UNLESS NOTED ON THE SHOP DRAWINGS. LIGHTNING PROTECTION IS RECOMMENDED AND CAN BE INCORPORATED UPON REQUEST. A LICENSED CONTRACTOR WILL NEED TO FIELD GROUND ANY LIGHTNING PROTECTION PROVIDED WITH THE FIBERGLASS ELEMENTS.

4. AFI RECOMMENDS ALL 3/8" DIA. THRU BOLTS TO BE STAINLESS STEEL TYPE 316, U.N.O. 1/2", 5/8", OR 3/4" DIA. (AS INDICATED) THRU BOLTS TO BE GRADE 5, GALVANIZED, U.N.O., BY OTHERS.

5. APPROVAL OF DRAWING IMPLIES THAT THE CONTRACTOR HAS VERIFIED ALL FIELD MEASUREMENTS PRIOR TO MANUFACTURE.



TYPICAL DOME ATTACHMENT



TYPICAL EXTERIOR DOME JOINT DETAIL

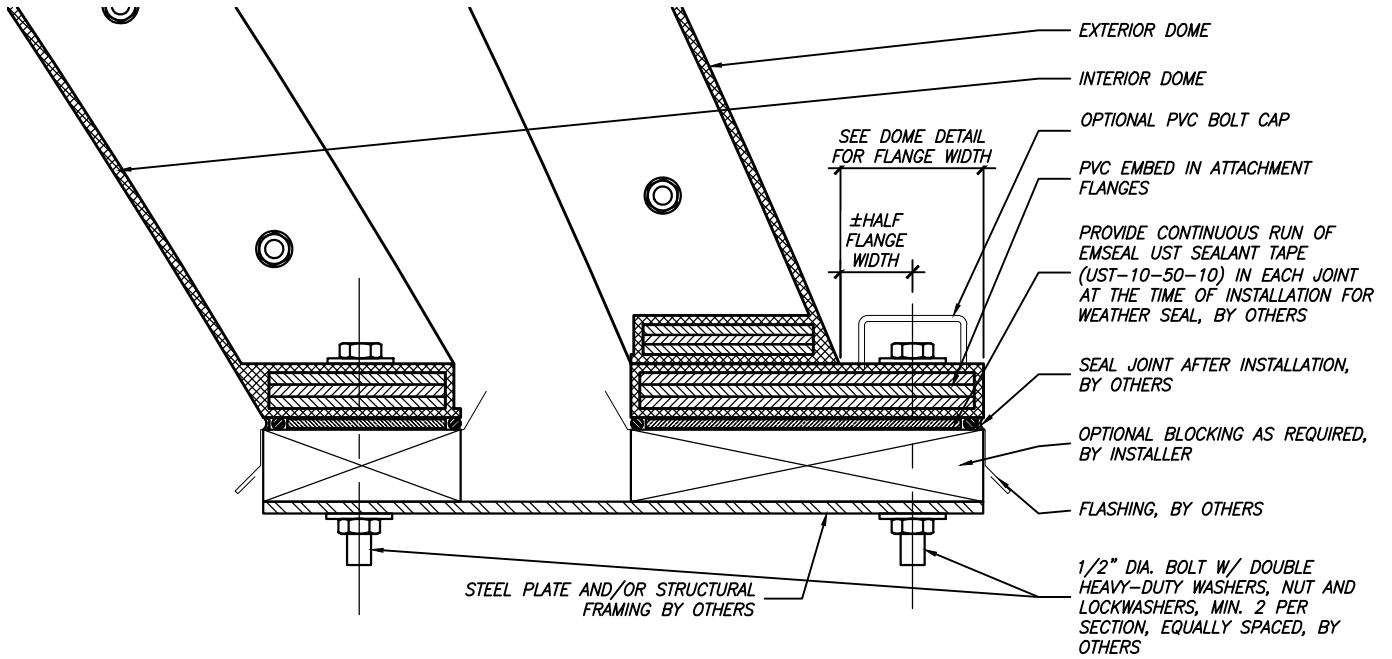
DOMES
SHEET NO.
SD-1
2020

ATTACHMENT
DETAILS



ARCHITECTURAL FIBERGLASS, INC.

8300 BESSEMER AVE., CLEVELAND, OHIO 44127-1839
(216) 641-8300 - FAX:(216) 641-8150
www.fiberglass-afi.com



TYPICAL DOME ATTACHMENT
WITH INTERIOR AND EXTERIOR DOMES

DOMES

SHEET NO.

SD-2

2020

ATTACHMENT
DETAILS



ARCHITECTURAL FIBERGLASS, INC.

8300 BESSEMER AVE., CLEVELAND, OHIO 44127-1839
(216) 641-8300 - FAX:(216) 641-8150
www.fiberglass-afi.com