

ONION DOMES

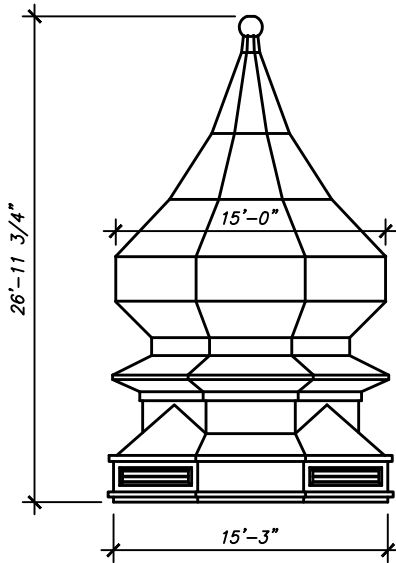


ARCHITECTURAL FIBERGLASS, INC.

8300 Bessemer Ave. * Cleveland, OH 44127-1839 * 216-641-8300 * Fax 216-641-8150 * www.fiberglass-afi.com

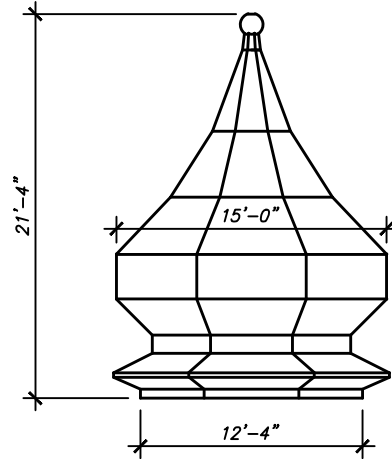
OD-101

HEIGHT: 26'-11 3/4"
WIDTH: 15'-0"
FOOTPRINT: 15'-3"
+ FACETED +



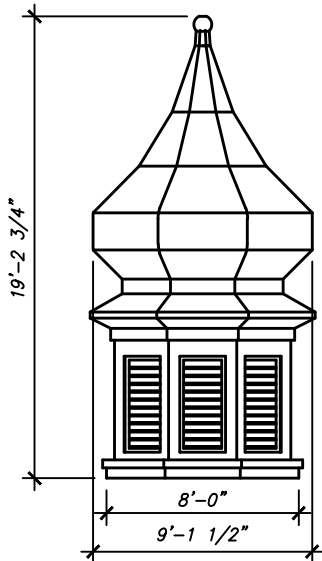
OD-102

HEIGHT: 21'-4"
WIDTH: 15'-0"
FOOTPRINT: 12'-4"
+ FACETED +



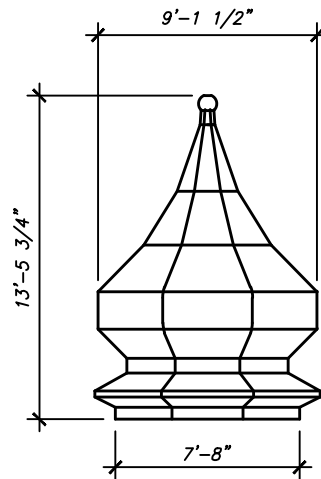
OD-103

HEIGHT: 19'-2 3/4"
WIDTH: 9'-1 1/2"
FOOTPRINT: 8'-0"
+ FACETED +



OD-104

HEIGHT: 13'-5 3/4"
WIDTH: 9'-1 1/2"
FOOTPRINT: 7'-8"
+ FACETED +



ONION DOMES

SHEET NO.

OD-01

2020

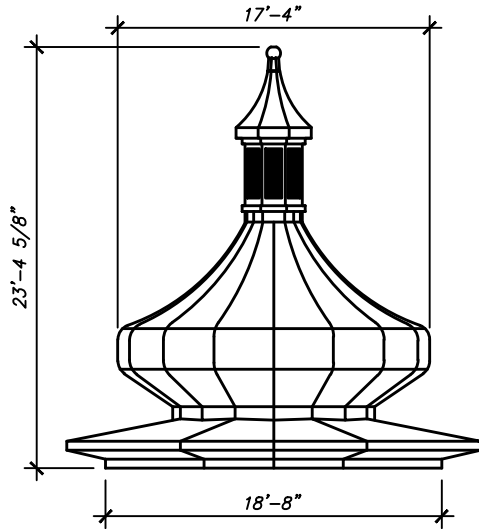


ARCHITECTURAL FIBERGLASS, INC.

8300 BESSEMER AVE., CLEVELAND, OHIO 44127-1839
(216) 641-8300 - FAX:(216) 641-8150
www.fiberglass-afi.com

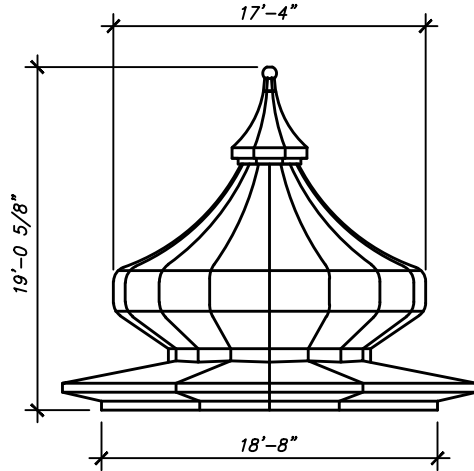
OD-105

HEIGHT: 23'-4 5/8"
WIDTH: 17'-4"
FOOTPRINT: 18'-8"
+ FACETED +



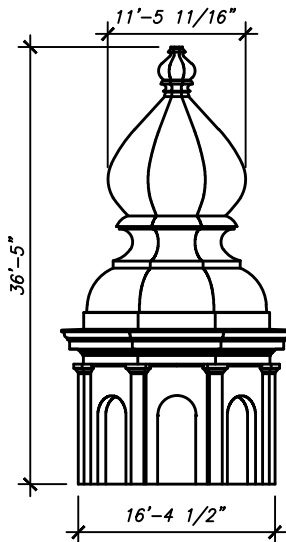
OD-106

HEIGHT: 19'-0 5/8"
WIDTH: 17'-4"
FOOTPRINT: 18'-8"
+ FACETED +



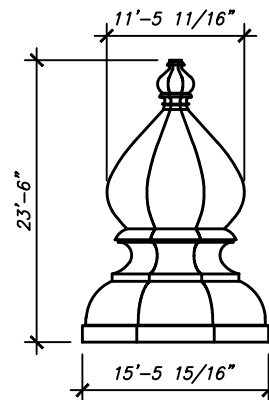
OD-107

HEIGHT: 36'-5"
WIDTH: 11'-5 11/16"
FOOTPRINT: 16'-4 1/2"
+ FACETED +



OD-108

HEIGHT: 23'-6"
WIDTH: 11'-5 11/16"
FOOTPRINT: 15'-5 15/16"
+ FACETED +



ONION DOMES

SHEET NO.

OD-02

2020

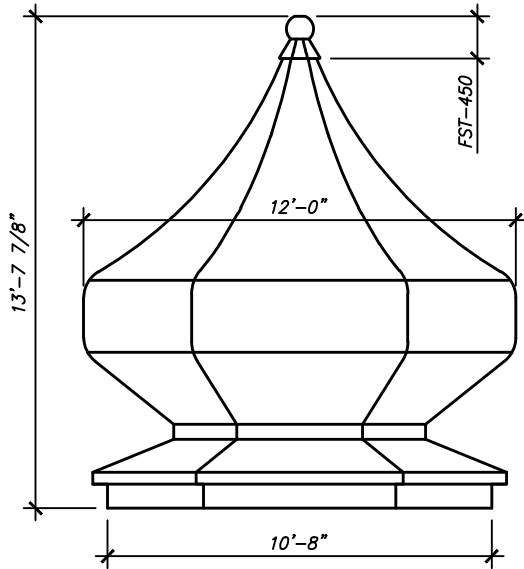


ARCHITECTURAL FIBERGLASS, INC.

8300 BESSEMER AVE., CLEVELAND, OHIO 44127-1839
(216) 641-8300 - FAX:(216) 641-8150
www.fiberglass-afi.com

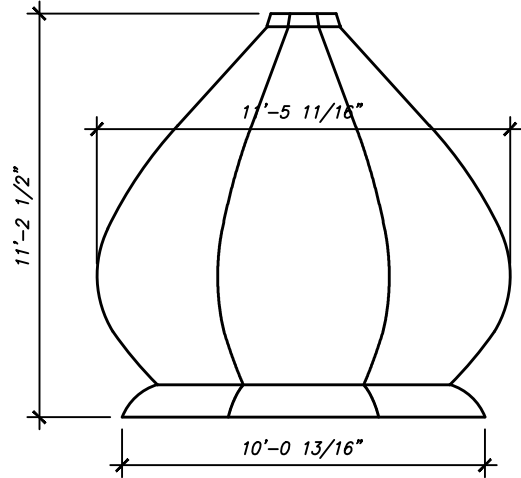
OD-109

HEIGHT: 13'-7 7/8"
WIDTH: 12'-0"
FOOTPRINT: 10'-8"
+ FACETED +



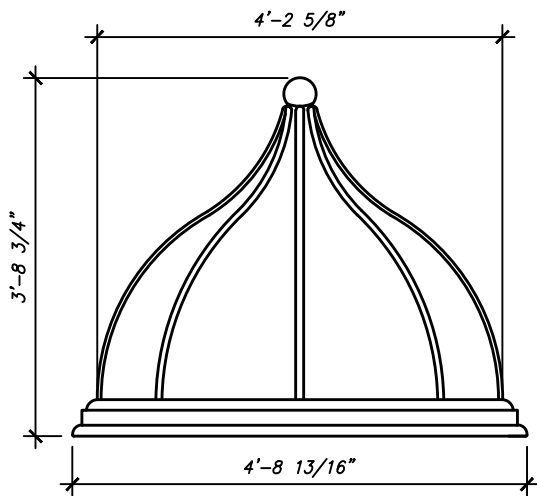
OD-110

HEIGHT: 11'-2 1/2"
WIDTH: 11'-5 11/16"
FOOTPRINT: 10'-0 13/16"
+ FACETED +



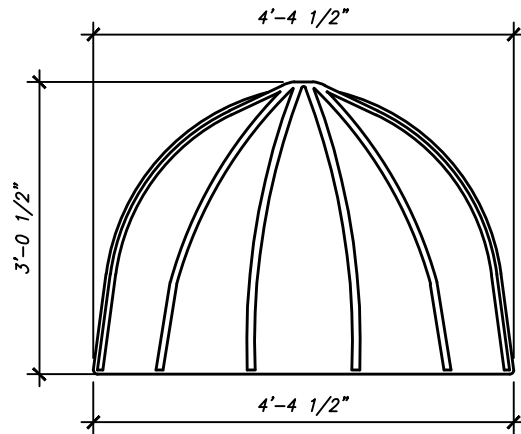
OD-111

HEIGHT: 3'-8 3/4"
WIDTH: 4'-2 5/8"
FOOTPRINT: 4'-8 13/16"



OD-112

HEIGHT: 3'-0 1/2"
WIDTH: 4'-4 1/2"
FOOTPRINT: 4'-4 1/2"



ONION DOMES

SHEET NO.

OD-03

2020

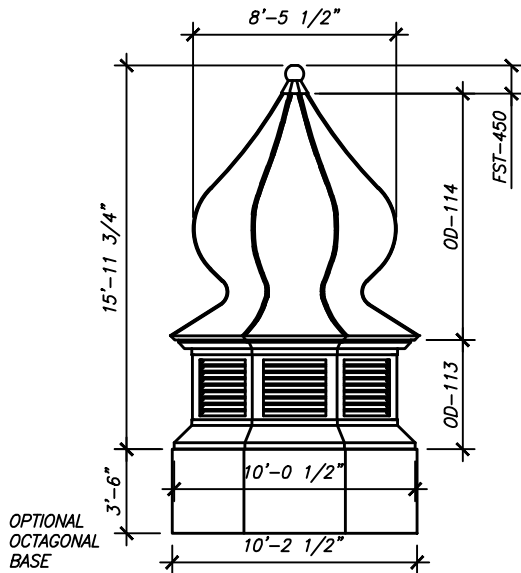


ARCHITECTURAL FIBERGLASS, INC.

8300 BESSEMER AVE., CLEVELAND, OHIO 44127-1839
(216) 641-8300 - FAX:(216) 641-8150
www.fiberglass-afi.com

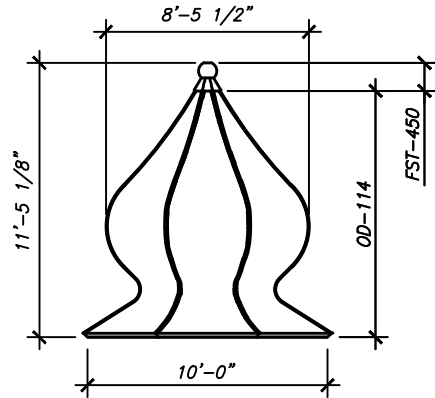
OD-113

HEIGHT: 15'-11 3/4"
WIDTH: 10'-0 1/2"
FOOTPRINT: 10'-0 1/2"
+ FACETED +



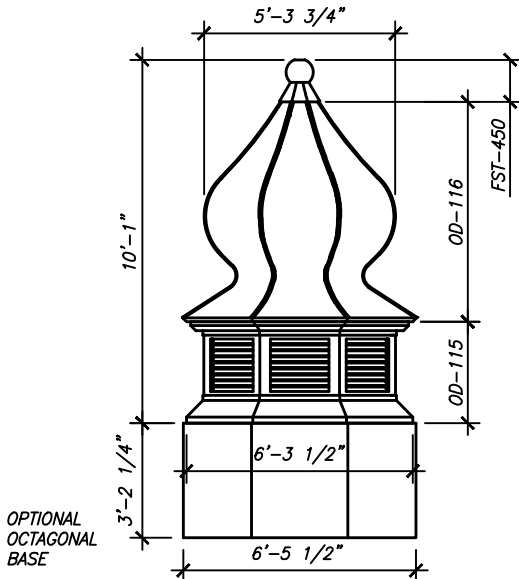
OD-114

HEIGHT: 11'-5 1/8"
WIDTH: 8'-5 1/2"
FOOTPRINT: 10'-0"
+ FACETED +



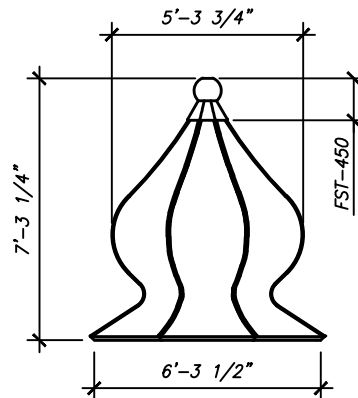
OD-115

HEIGHT: 10'-1"
WIDTH: 5'-3 3/4"
FOOTPRINT: 6'-3 1/2"
+ FACETED +



OD-116

HEIGHT: 7'-3 1/4"
WIDTH: 5'-3 3/4"
FOOTPRINT: 6'-3 1/2"
+ FACETED +



ONION DOMES

SHEET NO.

OD-04

2020

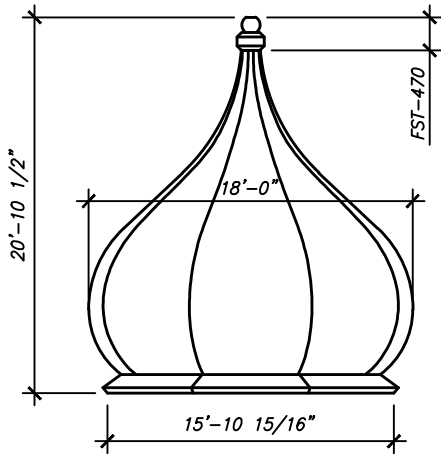


ARCHITECTURAL FIBERGLASS, INC.

8300 BESSEMER AVE., CLEVELAND, OHIO 44127-1839
(216) 641-8300 - FAX:(216) 641-8150
www.fiberglass-afi.com

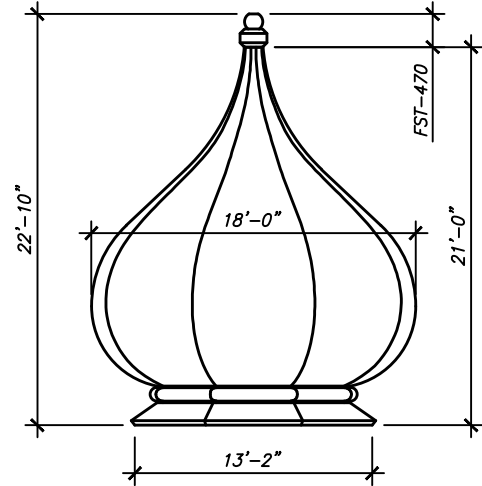
OD-117

HEIGHT: 21'-6 1/2"
WIDTH: 18'-0"
FOOTPRINT: 15'-10 15/16"



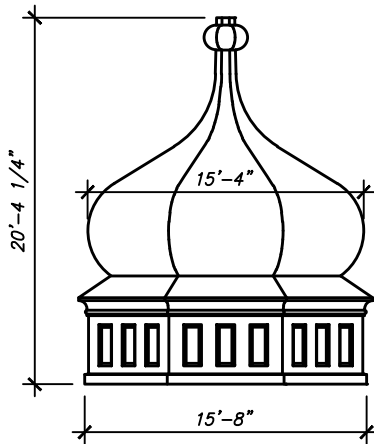
OD-118

HEIGHT: 23'-6"
WIDTH: 18'-0"
FOOTPRINT: 13'-2"



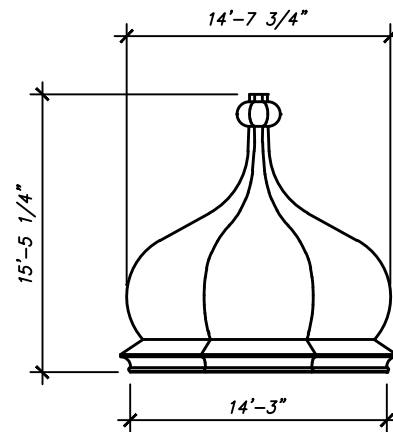
OD-119

HEIGHT: 20'-4 1/4"
WIDTH: 15'-4"
FOOTPRINT: 15'-8"
+ FACETED +



OD-120

HEIGHT: 15'-5 1/4"
WIDTH: 14'-7 3/4"
FOOTPRINT: 14'-3"
+ FACETED +



ONION DOMES

SHEET NO.

OD-05

2020

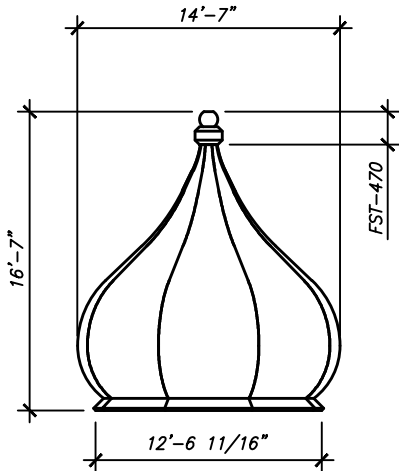


ARCHITECTURAL FIBERGLASS, INC.

8300 BESSEMER AVE., CLEVELAND, OHIO 44127-1839
(216) 641-8300 - FAX:(216) 641-8150
www.fiberglass-afi.com

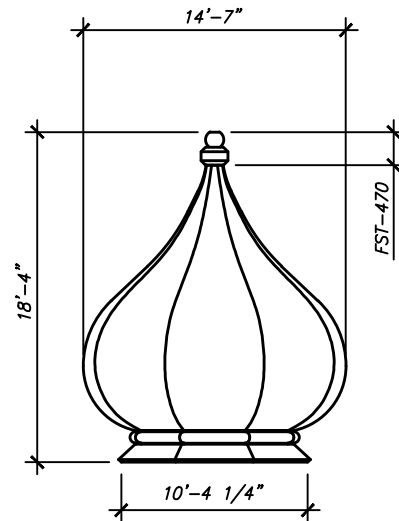
OD-121

HEIGHT: 17'-1 1/4"
WIDTH: 14'-7"
FOOTPRINT: 12'-6 11/16"



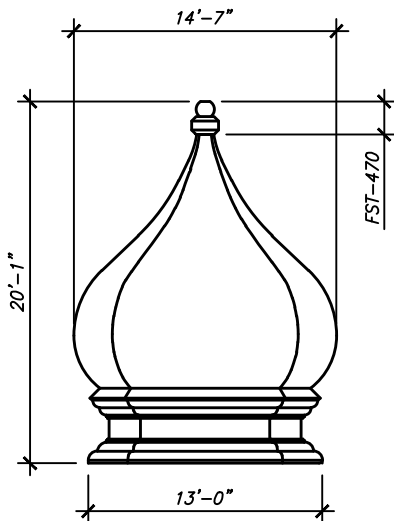
OD-122

HEIGHT: 19'-0"
WIDTH: 14'-7"
FOOTPRINT: 10'-4 1/4"



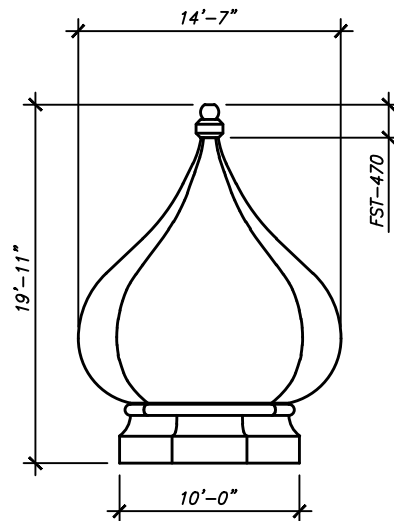
OD-123

HEIGHT: 20'-1 1/4"
WIDTH: 14'-7"
FOOTPRINT: 13'-0"



OD-124

HEIGHT: 20'-7"
WIDTH: 14'-7"
FOOTPRINT: 10'-0"



ONION DOMES

SHEET NO.

OD-06

2020

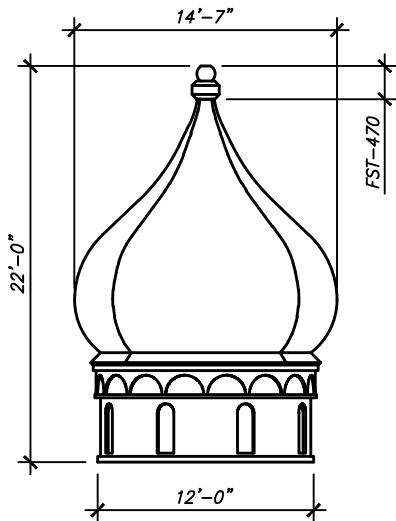


ARCHITECTURAL FIBERGLASS, INC.

8300 BESSEMER AVE., CLEVELAND, OHIO 44127-1839
(216) 641-8300 - FAX:(216) 641-8150
www.fiberglass-afi.com

OD-125

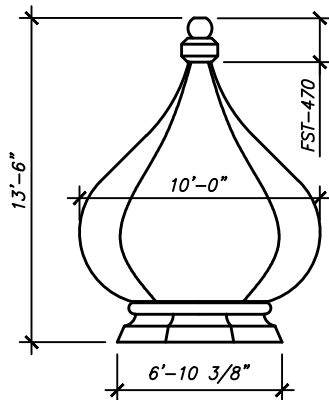
HEIGHT: 22'-0"
WIDTH: 14'-7"
FOOTPRINT: 12'-0"



OD-126 IS DISCONTINUED

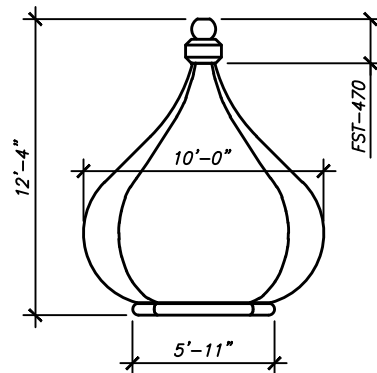
OD-127

HEIGHT: 13'-6"
WIDTH: 10'-0"
FOOTPRINT: 6'-10 3/8"



OD-128

HEIGHT: 12'-4"
WIDTH: 10'-0"
FOOTPRINT: 5'-11"



ONION DOMES

SHEET NO.

OD-07

2020

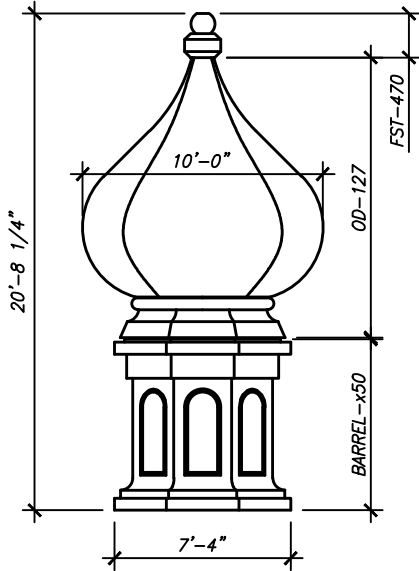


ARCHITECTURAL FIBERGLASS, INC.

8300 BESSEMER AVE., CLEVELAND, OHIO 44127-1839
(216) 641-8300 - FAX:(216) 641-8150
www.fiberglass-afi.com

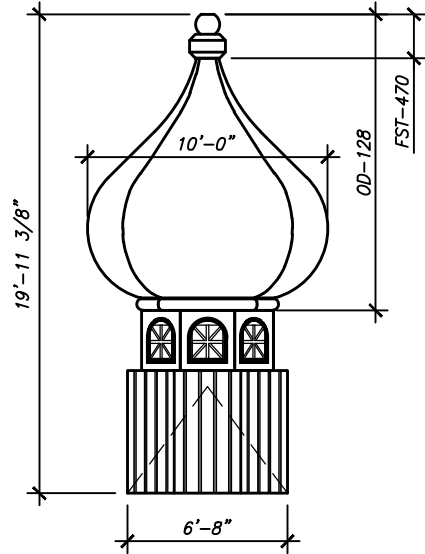
OD-129

HEIGHT: 20'-8 1/4"
WIDTH: 10'-0"
FOOTPRINT: 7'-4"



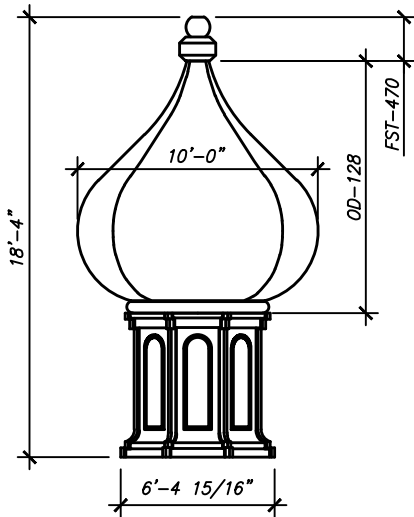
OD-130

HEIGHT: 19'-11 3/8"
WIDTH: 10'-0"
FOOTPRINT: 6'-8"



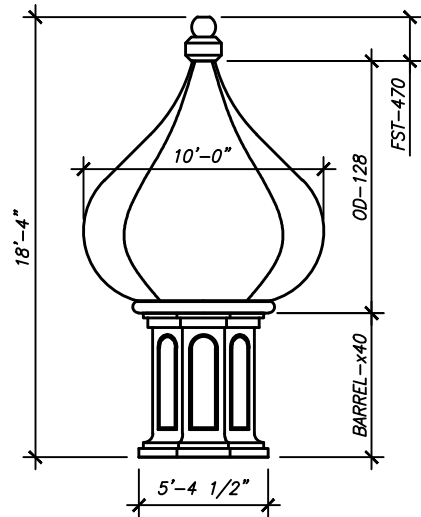
OD-131

HEIGHT: 18'-4"
WIDTH: 10'-0"
FOOTPRINT: 6'-4 15/16"



OD-132

HEIGHT: 18'-4"
WIDTH: 10'-0"
FOOTPRINT: 5'-4 1/2"



ONION DOMES

SHEET NO.

OD-08

2020

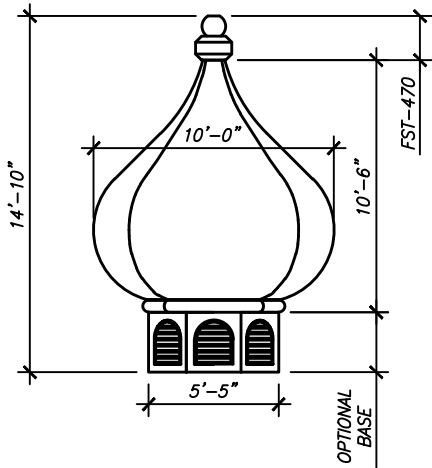


ARCHITECTURAL FIBERGLASS, INC.

8300 BESSEMER AVE., CLEVELAND, OHIO 44127-1839
(216) 641-8300 - FAX:(216) 641-8150
www.fiberglass-afi.com

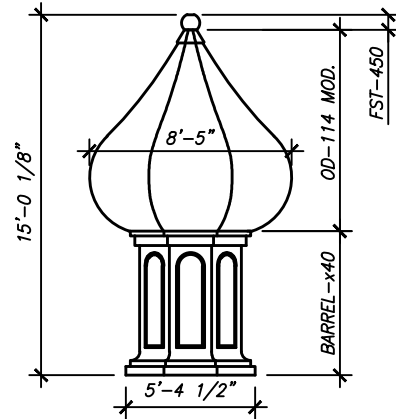
OD-133

HEIGHT: 14'-10"
WIDTH: 10'-0"
FOOTPRINT: 5'-5"



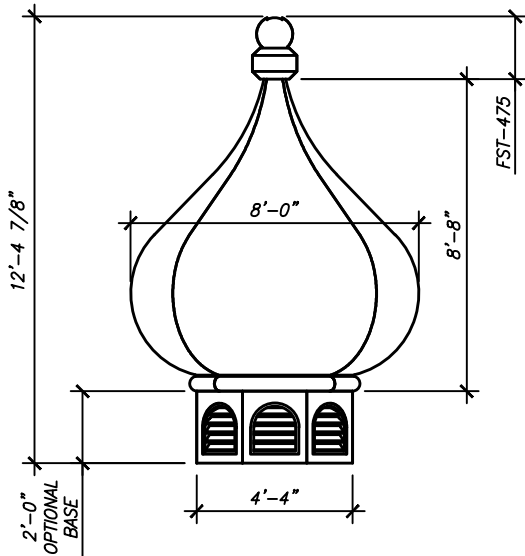
OD-134

HEIGHT: 15'-0 1/8"
WIDTH: 8'-5"
FOOTPRINT: 5'-4 1/2"
+ FACETED +



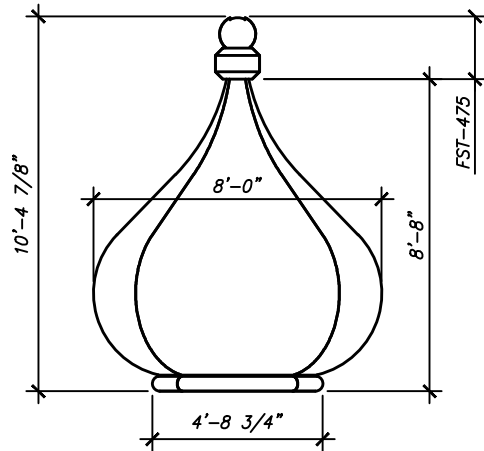
OD-169

HEIGHT: 12'-4 7/8"
WIDTH: 8'-0"
FOOTPRINT: 4'-4"



OD-170

HEIGHT: 10'-4 7/8"
WIDTH: 8'-0"
FOOTPRINT: 4'-8 3/4"



ONION DOMES

SHEET NO.

OD-09

2020

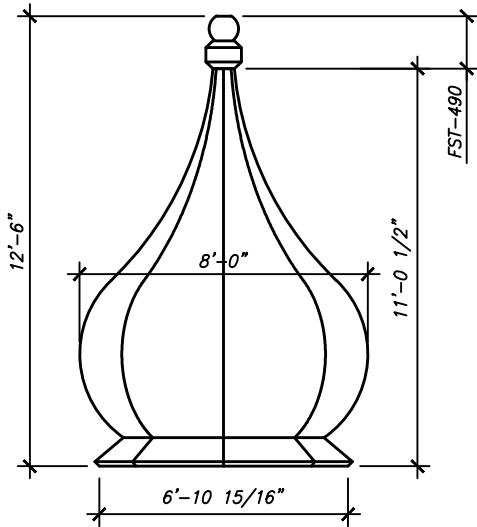


ARCHITECTURAL FIBERGLASS, INC.

8300 BESSEMER AVE., CLEVELAND, OHIO 44127-1839
(216) 641-8300 - FAX:(216) 641-8150
www.fiberglass-afi.com

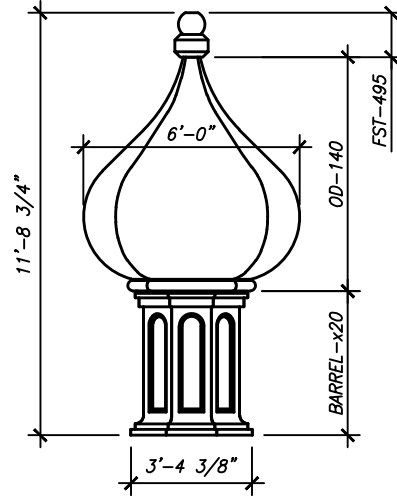
OD-135

HEIGHT: 12'-6"
WIDTH: 8'-0"
FOOTPRINT: 6'-10 15/16"



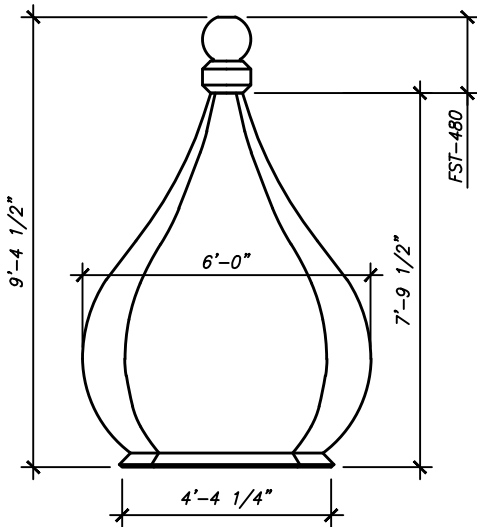
OD-136

HEIGHT: 11'-8 3/4"
WIDTH: 6'-0"
FOOTPRINT: 3'-4 3/8"



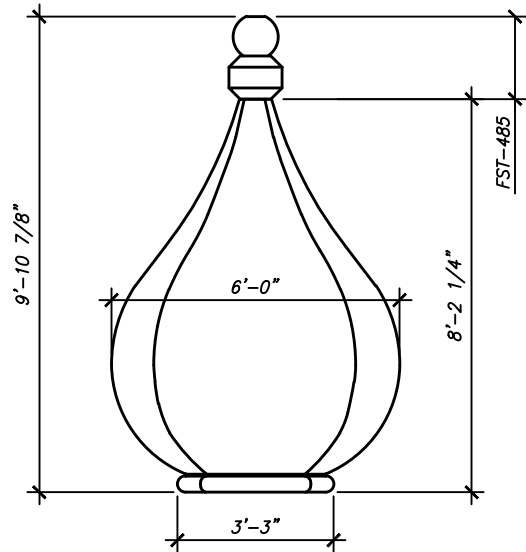
OD-137

HEIGHT: 9'-4 1/2"
WIDTH: 6'-0"
FOOTPRINT: 4'-4 1/4"



OD-138

HEIGHT: 9'-10 7/8"
WIDTH: 6'-0"
FOOTPRINT: 3'-3"



ONION DOMES

SHEET NO.

OD-10

2020

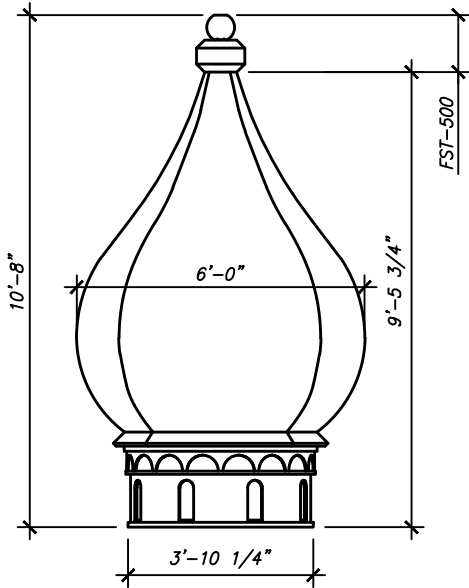


ARCHITECTURAL FIBERGLASS, INC.

8300 BESSEMER AVE., CLEVELAND, OHIO 44127-1839
(216) 641-8300 - FAX:(216) 641-8150
www.fiberglass-afi.com

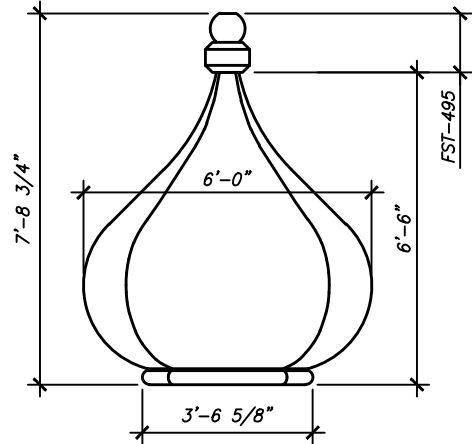
OD-139

HEIGHT: 10'-8"
WIDTH: 6'-0"
FOOTPRINT: 3'-10 1/4"



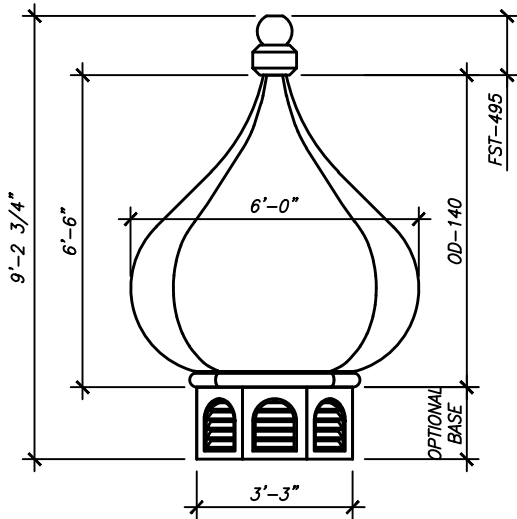
OD-140

HEIGHT: 7'-8 3/4"
WIDTH: 6'-0"
FOOTPRINT: 3'-6 5/8"



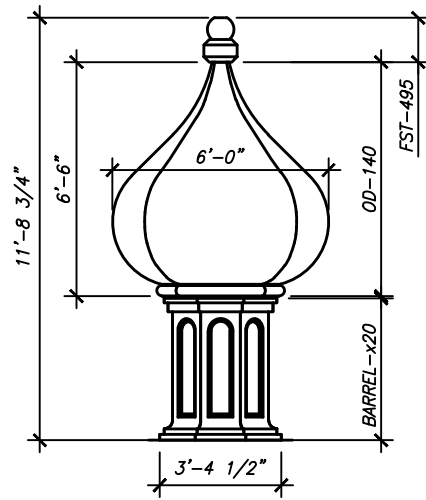
OD-171

HEIGHT: 9'-2 3/4"
WIDTH: 6'-0"
FOOTPRINT: 3'-3"



OD-141

HEIGHT: 11'-8 3/4"
WIDTH: 6'-0"



ONION DOMES

SHEET NO.

OD-11

2020

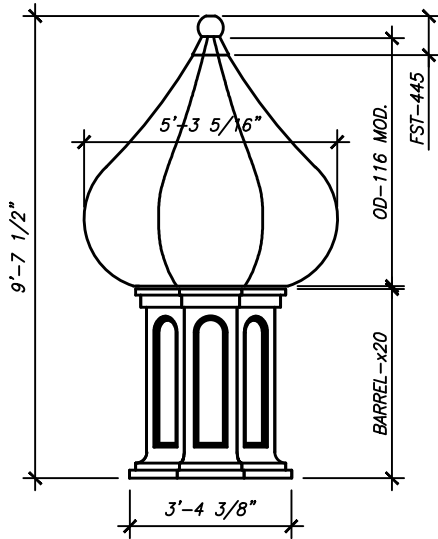


ARCHITECTURAL FIBERGLASS, INC.

8300 BESSEMER AVE., CLEVELAND, OHIO 44127-1839
(216) 641-8300 - FAX:(216) 641-8150
www.fiberglass-afi.com

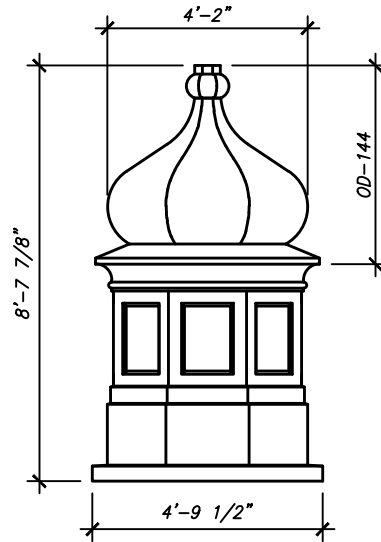
OD-142

HEIGHT: 9'-7 1/2"
WIDTH: 5'-3 5/16"
FOOTPRINT: 3'-4 3/8"



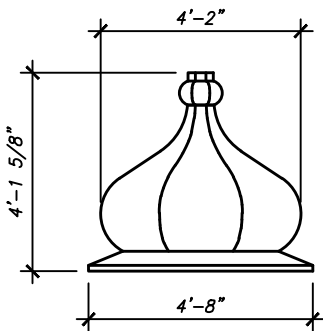
OD-143

HEIGHT: 8'-7 7/8"
WIDTH: 4'-2"
FOOTPRINT: 4'-9 1/2"
+ FACETED +



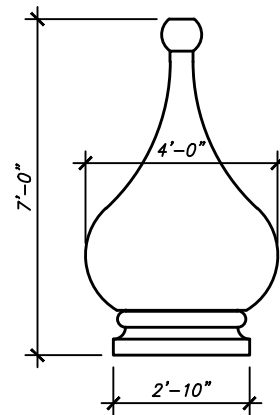
OD-144

HEIGHT: 4'-1 5/8"
WIDTH: 4'-2"
FOOTPRINT: 4'-8"
+ FACETED +



OD-145

HEIGHT: 7'-0"
WIDTH: 4'-0"
FOOTPRINT: 2'-10"
DOME SQ.FT.: 64.80



ONION DOMES

SHEET NO.

OD-12

2020

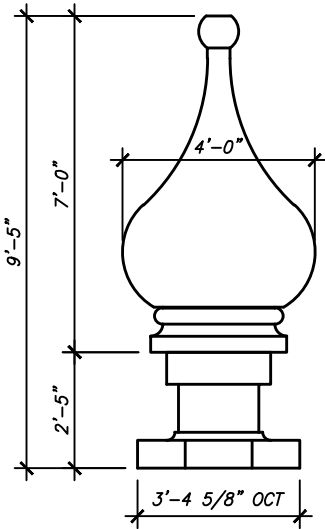


ARCHITECTURAL FIBERGLASS, INC.

8300 BESSEMER AVE., CLEVELAND, OHIO 44127-1839
(216) 641-8300 - FAX:(216) 641-8150
www.fiberglass-afi.com

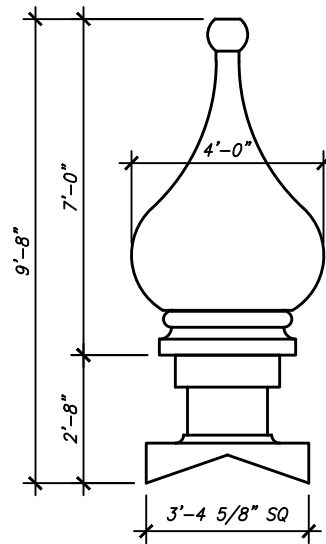
OD-146

HEIGHT: 9'-5"
WIDTH: 4'-0"
FOOTPRINT: 3'-4 5/8" OCTAGONAL



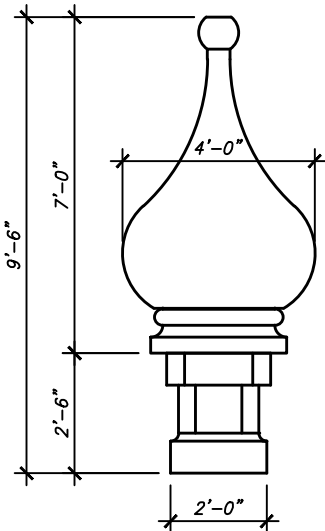
OD-147

HEIGHT: 9'-8"
WIDTH: 4'-0"
FOOTPRINT: 3'-4 5/8" SQUARE



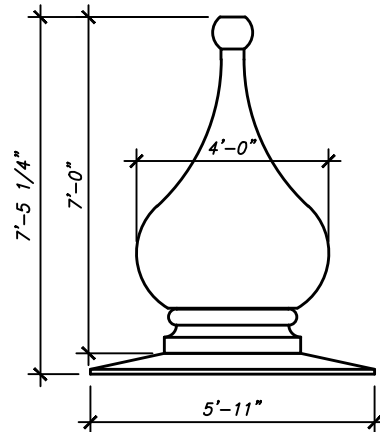
OD-148

HEIGHT: 9'-6"
WIDTH: 4'-0"
FOOTPRINT: 2'-0"



OD-168

HEIGHT: 7'-5 1/4"
WIDTH: 4'-0"
FOOTPRINT: 5'-11"



ONION DOMES

SHEET NO.

OD-13

2020

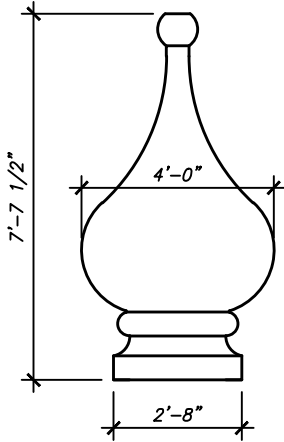


ARCHITECTURAL FIBERGLASS, INC.

8300 BESSEMER AVE., CLEVELAND, OHIO 44127-1839
(216) 641-8300 - FAX:(216) 641-8150
www.fiberglass-afi.com

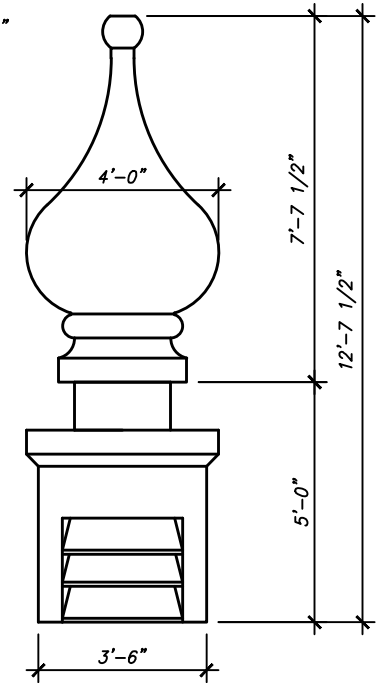
OD-149

HEIGHT: 7'-7 1/2"
WIDTH: 4'-0"
FOOTPRINT: 2'-8"



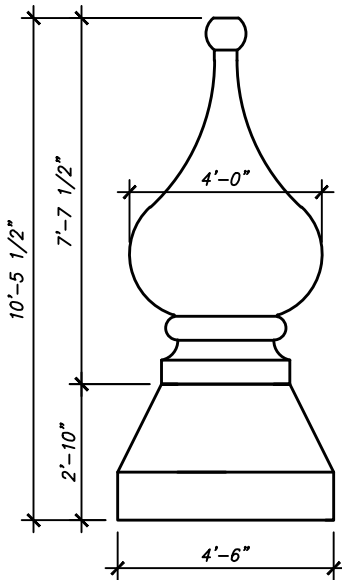
OD-150

HEIGHT: 12'-7 1/2"
WIDTH: 4'-0"
FOOTPRINT: 3'-6"



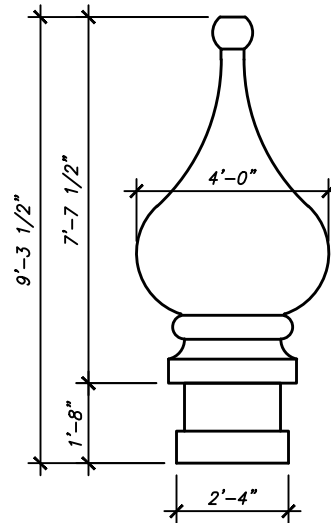
OD-151

HEIGHT: 10'-5 1/2"
WIDTH: 4'-0"
FOOTPRINT: 4'-6"



OD-152

HEIGHT: 9'-3 1/2"
WIDTH: 4'-0"
FOOTPRINT: 2'-4"



ONION DOMES

SHEET NO.

OD-14

2020

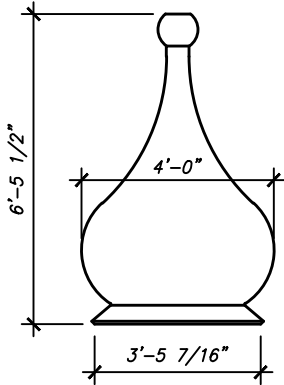


ARCHITECTURAL FIBERGLASS, INC.

8300 BESSEMER AVE., CLEVELAND, OHIO 44127-1839
(216) 641-8300 - FAX:(216) 641-8150
www.fiberglass-afi.com

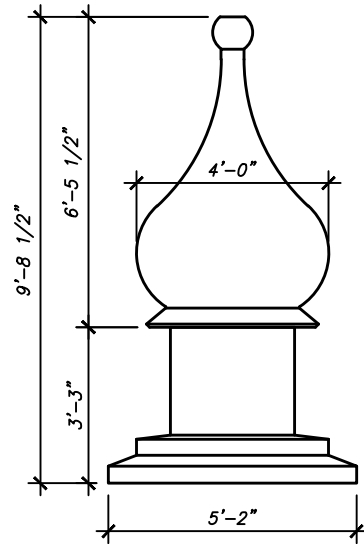
OD-153

HEIGHT: 6'-5 1/2"
WIDTH: 4'-0"
FOOTPRINT: 3'-5 7/16"



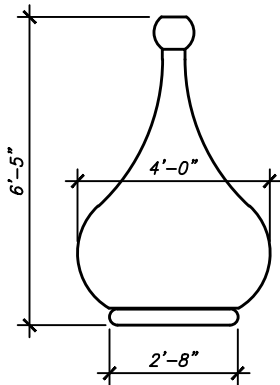
OD-154

HEIGHT: 9'-8 1/2"
WIDTH: 4'-0"
FOOTPRINT: 5'-2"



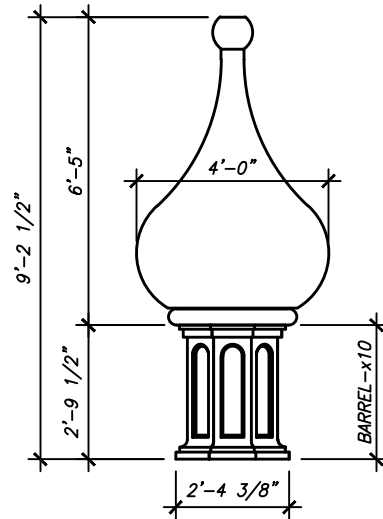
OD-155

HEIGHT: 6'-5"
WIDTH: 4'-0"
FOOTPRINT: 2'-8"



OD-156

HEIGHT: 9'-2 1/2"
WIDTH: 4'-0"
FOOTPRINT: 2'-4 3/8"



ONION DOMES

SHEET NO.

OD-15

2020

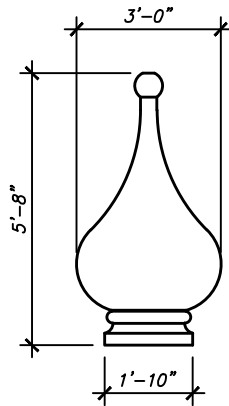


ARCHITECTURAL FIBERGLASS, INC.

8300 BESSEMER AVE., CLEVELAND, OHIO 44127-1839
(216) 641-8300 - FAX:(216) 641-8150
www.fiberglass-afi.com

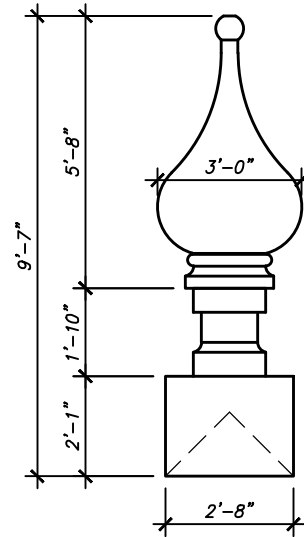
OD-157

HEIGHT: 5'-8"
WIDTH: 3'-0"
FOOTPRINT: 1'-10"



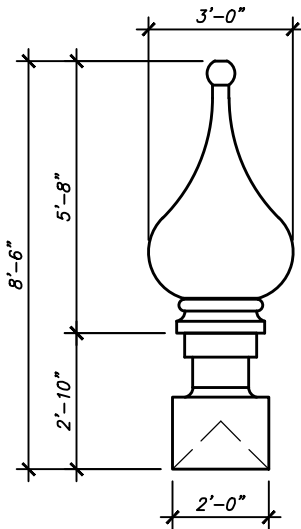
OD-158

HEIGHT: 9'-7"
WIDTH: 3'-0"
FOOTPRINT: 2'-8"



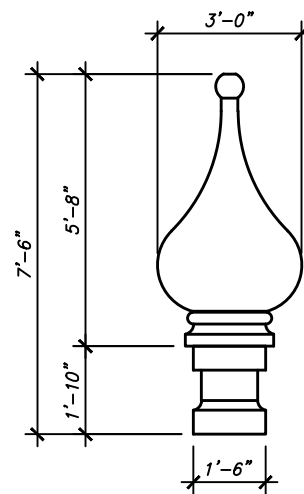
OD-159

HEIGHT: 8'-6"
WIDTH: 3'-0"
FOOTPRINT: 2'-0"



OD-160

HEIGHT: 7'-6"
WIDTH: 3'-0"
FOOTPRINT: 1'-6"



ONION DOMES

SHEET NO.

OD-16

2020

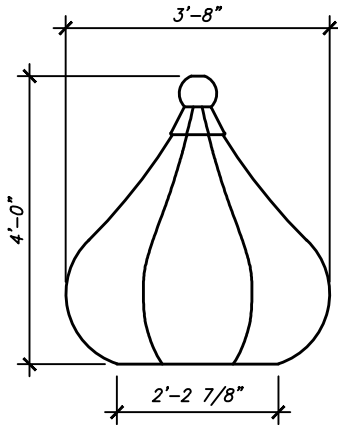


ARCHITECTURAL FIBERGLASS, INC.

8300 BESSEMER AVE., CLEVELAND, OHIO 44127-1839
(216) 641-8300 - FAX:(216) 641-8150
www.fiberglass-afi.com

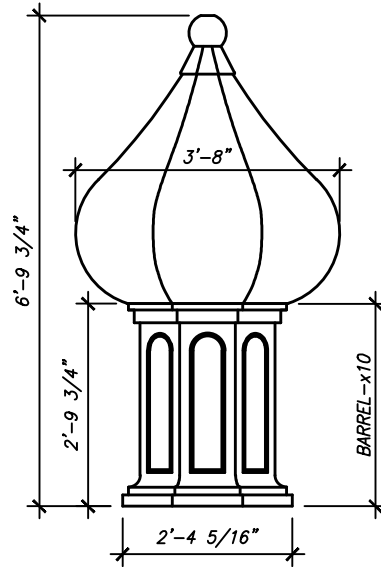
OD-163

HEIGHT: 4'-0"
WIDTH: 3'-8"
FOOTPRINT: 2'-2 7/8"
+ FACETED +



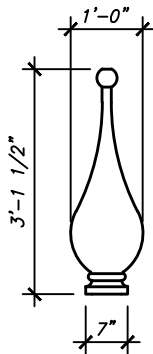
OD-164

HEIGHT: 6'-9 3/4"
WIDTH: 3'-8"
FOOTPRINT: 2'-4 5/16"
+ FACETED +



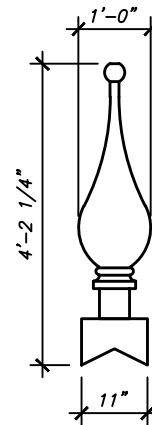
OD-161

HEIGHT: 3'-1 1/2"
WIDTH: 1'-0"
FOOTPRINT: 7"



OD-162

HEIGHT: 4'-2 1/4"
WIDTH: 1'-0"
FOOTPRINT: 11"



ONION DOMES

SHEET NO.

OD-17

2020

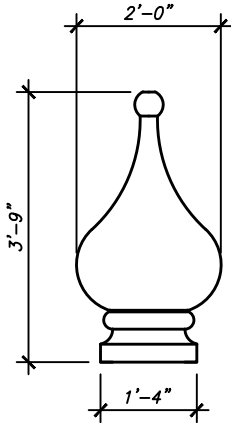


ARCHITECTURAL FIBERGLASS, INC.

8300 BESSEMER AVE., CLEVELAND, OHIO 44127-1839
(216) 641-8300 - FAX:(216) 641-8150
www.fiberglass-afi.com

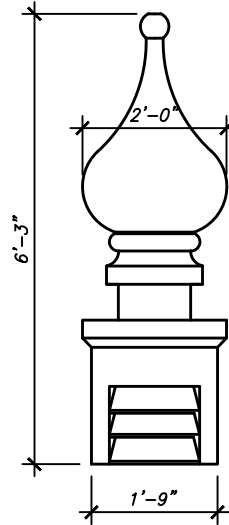
OD-165

HEIGHT: 3'-9"
WIDTH: 2'-0"
FOOTPRINT: 1'-4"
DOME SQ.FT.: 17.96



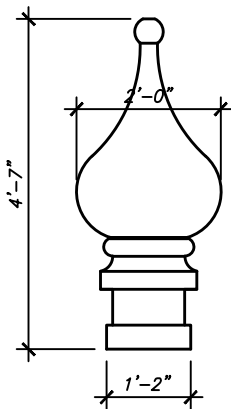
OD-166

HEIGHT: 6'-3"
WIDTH: 2'-0"
FOOTPRINT: 1'-9"



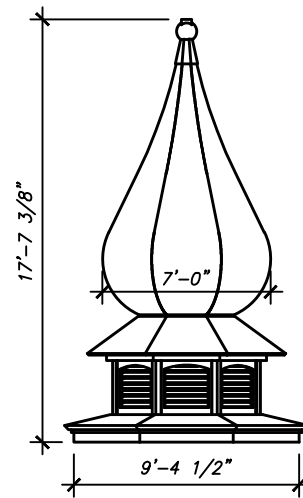
OD-167

HEIGHT: 4'-7"
WIDTH: 2'-0"
FOOTPRINT: 1'-2"



OD-172

HEIGHT: 13'-6 3/8"
WIDTH: 10'-0"
FOOTPRINT: 6'-10 3/8"
+ FACETED +



ONION DOMES

SHEET NO.

OD-18

2020

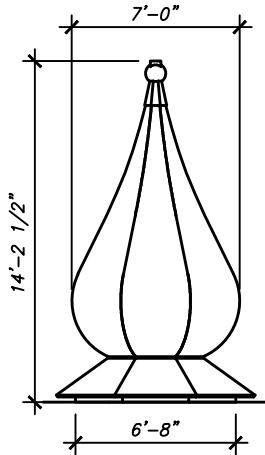


ARCHITECTURAL FIBERGLASS, INC.

8300 BESSEMER AVE., CLEVELAND, OHIO 44127-1839
(216) 641-8300 - FAX:(216) 641-8150
www.fiberglass-afi.com

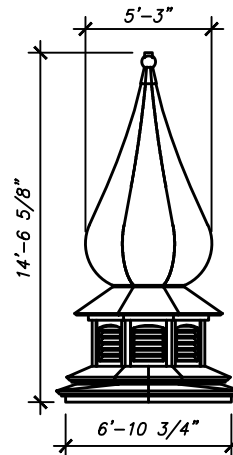
OD-173

HEIGHT: 13'-6 3/8"
WIDTH: 10'-0"
FOOTPRINT: 6'-10 3/8"
+ FACETED +



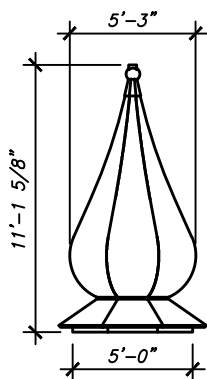
OD-174

HEIGHT: 13'-6 3/8"
WIDTH: 10'-0"
FOOTPRINT: 6'-10 3/8"
+ FACETED +



OD-175

HEIGHT: 13'-6 3/8"
WIDTH: 10'-0"
FOOTPRINT: 6'-10 3/8"
+ FACETED +



INTENTIONALLY LEFT BLANK

ONION DOMES

SHEET NO.

OD-19

2020



ARCHITECTURAL FIBERGLASS, INC.

8300 BESSEMER AVE., CLEVELAND, OHIO 44127-1839
(216) 641-8300 - FAX:(216) 641-8150
www.fiberglass-afi.com